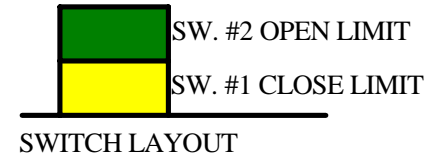
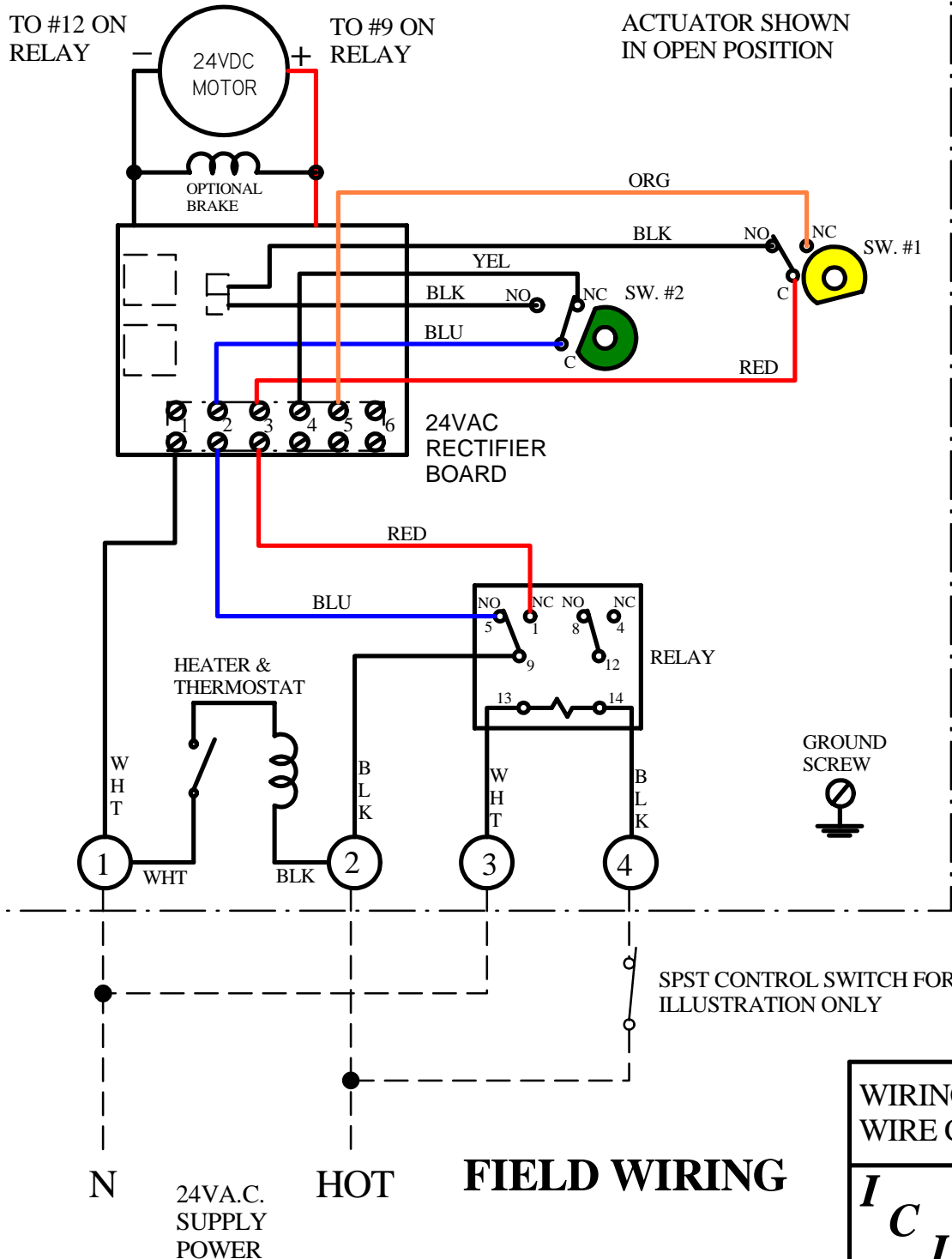


REV.	DESCRIPTION	DATE	BY
1	ADDED HEATER, CLEANED UP DWG, CHGD PART NO.	04APR16	WJR



**NOTES:**

POWER TO TERMINALS 1 & 2 ALL THE TIME TO POWER ACTUATOR. THIS WILL DRIVE ACTUATOR CLOSED.

CONTROL POWER APPLIED TO TERMINALS 3 & 4 WILL DRIVE ACTUATOR OPEN. WHEN POWER IS REMOVED FROM TERMINAL 4, ACTUATOR WILL DRIVE BACK TO THE CLOSED POSITION.

TERMINALS 4 AND 5 ON THE RECTIFIER BOARD CAN BE USED FOR LIGHT INDICATION.

DC MOTOR CONNECTIONS TO 24VAC BOARD:

S & MH = 9 (-); 12 (+)

R & OTHER M = 9 (+); 12 (-)

WD24VSC-TW

WIRING DIAGRAM, 24VAC ELECTRIC ACTUATOR WITH 2 WIRE CONTROL & OPTIONAL BRAKE, HTR/THERMOSTAT

**I C I Indelac Controls, Co.**  
Florence, Ky. 41042

10-5-99 JLR

**W991005**