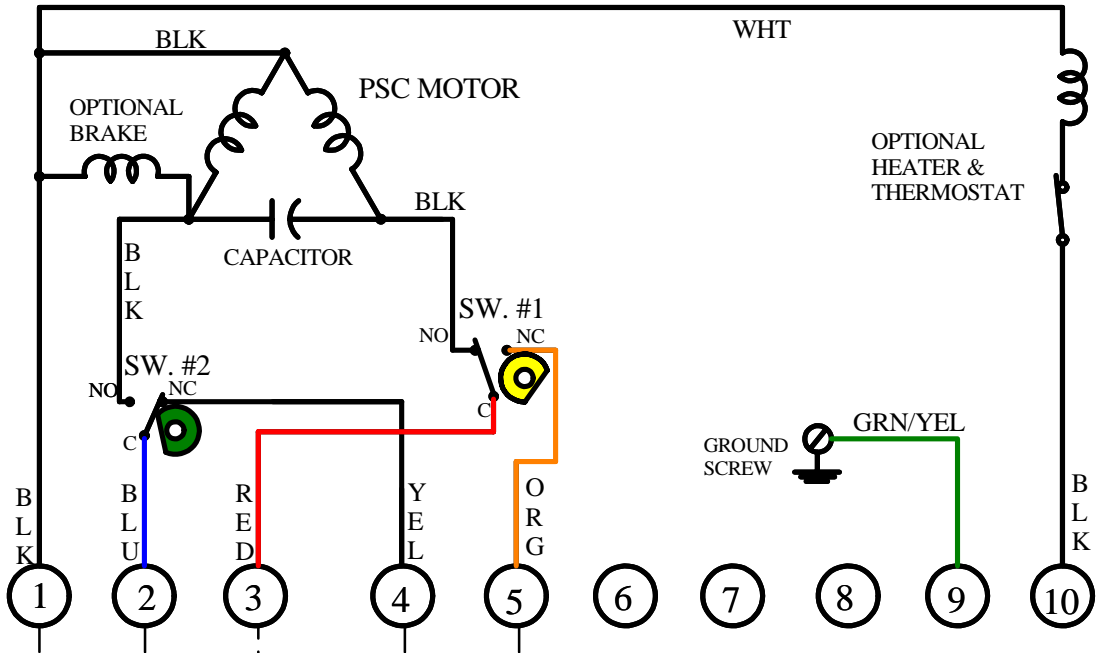
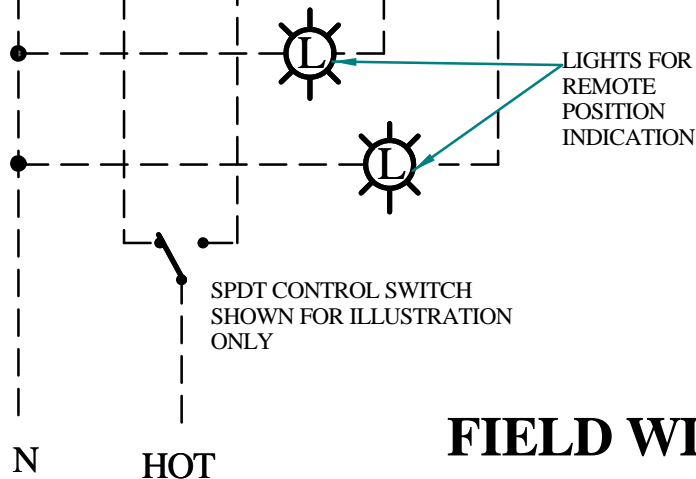
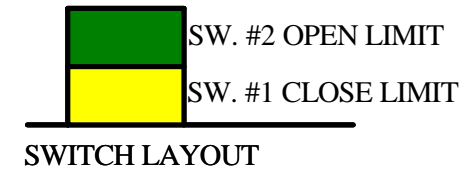


REV.	DESCRIPTION	DATE	BY
1	ADDED GROUND WIRE TO SCREW	18APR16	WJR



MOTOR WIRING:

ACTUATOR SERIES	CLOSE	OPEN
R, SD, SR, SX, MH	BRN	RED
MR, MS, ML	RED	BRN



FIELD WIRING

115/230VAC
SUPPLY
POWER

NOTES:

- POWER TO TERMINALS ONE & TWO OPENS THE VALVE (CCW ROTATION)
- POWER TO TERMINALS ONE & THREE CLOSES THE VALVE (CW ROTATION)
- TERMINALS 4 & 5 ARE FOR LIGHT INDICATION

WIRING DIAGRAM ILLUSTRATES THE ACTUATOR IN THE OPEN POSITION

IC_I Indelac Controls, Inc.
Florence, Ky. 41042

WIRING DIAGRAM, 115/230VAC ELECTRIC ACTUATOR, WITH OPTIONAL BRAKE & HEATER/THERMOSTAT

JLR 5-19-99

W990520