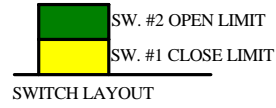
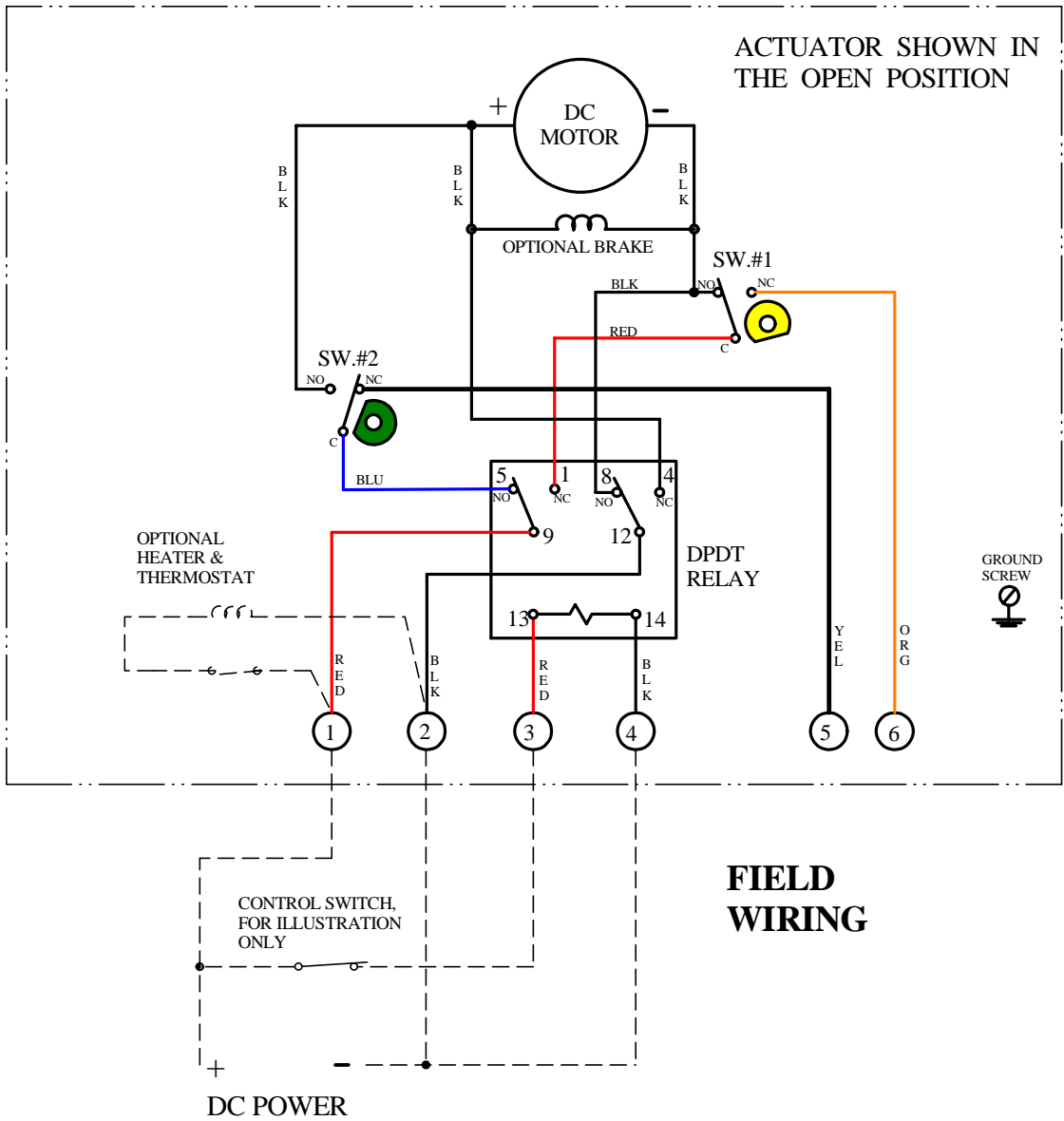


REV.	DESCRIPTION	DATE	BY
1	REDRAWN WITH CHANGES: ADDED SWITCH STACK	08AUG16	WJR

ACTUATOR SHOWN IN THE OPEN POSITION



OPERATION:

SUPPLY POWER IS ALWAYS ON. WILL HOLD ACTUATOR IN CLOSED POSITION. CONTROL VOLTAGE WILL RUN ACTUATOR OPEN - WHEN REMOVED, ACTUATOR WILL RUN BACK CLOSED.

CONNECTION:

SUPPLY POWER TO TERMINALS #1 & #2; WILL RUN ACTUATOR TO CLOSE (CW). CONTROL VOLTAGE TO TERMINALS #3 & #4 TO OPEN (CCW). TERMINALS #5 & #6 SUPPLIED FOR LIGHT INDICATION.

FIELD WIRING

ICI		Indelac Controls, Inc. Florence, KY 41042
WIRING DIAGRAM, DC ACTUATOR WITH TWO WIRE CONTROL & OPTIONAL BRAKE, HEATER THERMOSTAT		
JLR	11-20-98	W981120

DC POWER