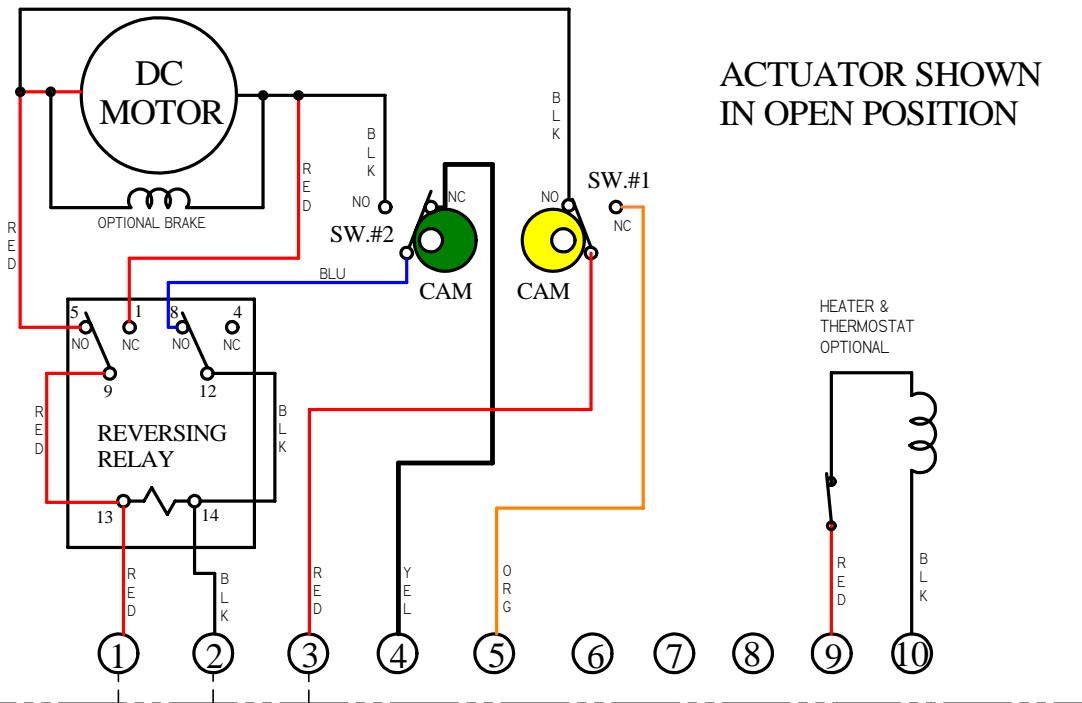


ACTUATOR SHOWN  
IN OPEN POSITION

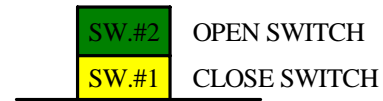


FIELD WIRING

SPDT SWITCH SHOWN FOR  
ILLUSTRATION ONLY

DC VOLTAGE

REV	DESCRIPTION	BY	DATE
1	REMOVED "+" "-" FROM MOTOR	WJR	27JUN14
2	ADDED NOTE FOR L SERIES	WJR	18MAY16



**OPERATION:**

POWER TO 1 & 2 FOR CCW ROTATION - OPEN

POWER TO 1 & 3 FOR CW ROTATION - CLOSE

TERMINALS 4 & 5 FOR FIELD LIGHT INDICATION CONNECTION

**NOTES:**

FOR "L" SERIES ACTUATORS, USE #16AWG WIRE AND THE REVERSING RELAY WILL BE 15AMP RATED.

		Indelac Controls, Inc.	
		Florence, KY 41042	
WIRING DIAGRAM, DC ACTUATOR WITH REVERSING RELAY & OPTIONAL BRAKE AND HEATER/THERMOSTAT			
		B	
JLR	8-21-91	W910821	