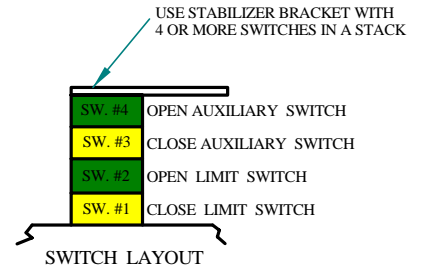
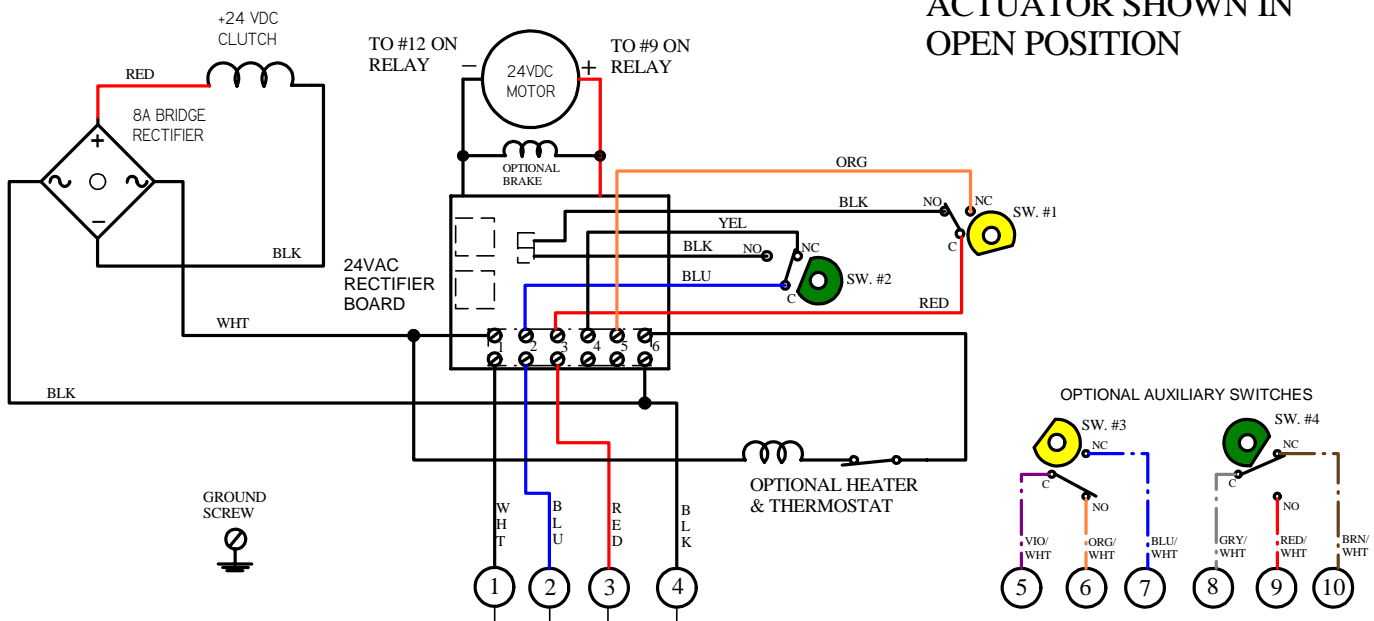
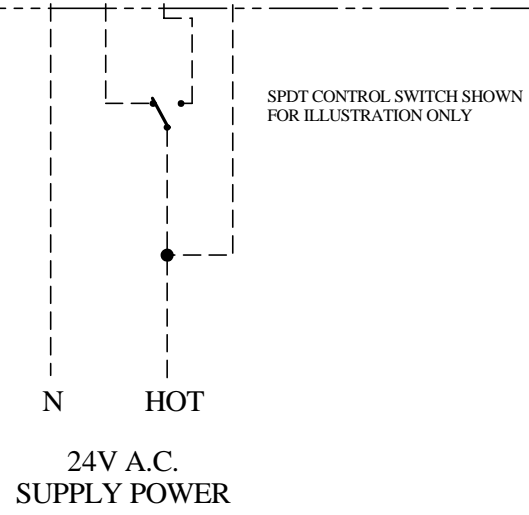


REV.	DESCRIPTION	DATE	BY

ACTUATOR SHOWN IN OPEN POSITION



**FIELD WIRING**



**NOTES:**

- POWER TO TERMINALS 1 & 2 TO OPEN VALVE (CCW ROTATION)
- POWER TO TERMINALS 1 & 3 TO CLOSE VALVE (CW ROTATION)
- TERMINAL 4 FOR HEATER AND CLUTCH
- TERMINALS 5 THRU 10 FOR AUXILIARY SWITCHES.

WIRING DIAGRAM, ASC SPRING RETURN, 24VAC WITH CLUTCH AND OPTIONAL BRAKE, HEATER/ THERMOSTAT & 2 AUXILIARY SWITCHES

<b>I C I</b> <b>Indelac Controls, Co.</b> Florence, Ky. 41042	27SEP16 WJR
	<b>W160927A</b>