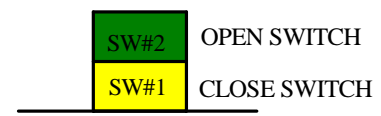
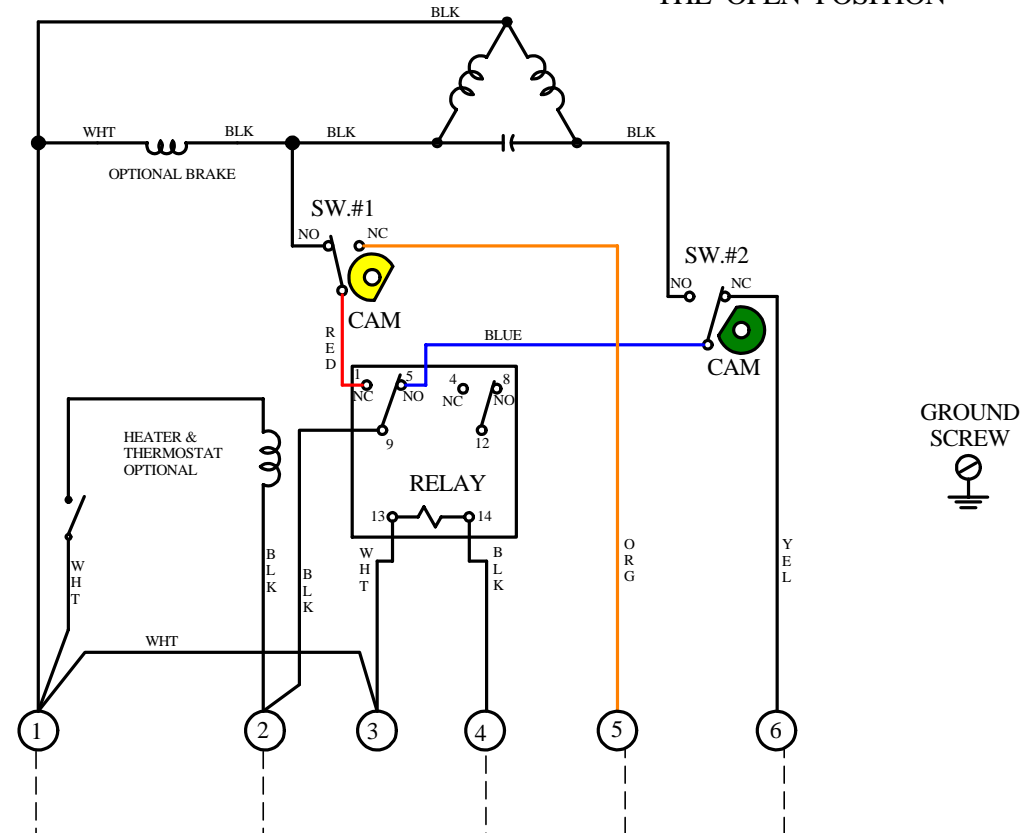


REV.	DESCRIPTION	DATE	BY
1	CHANGED RELAY N.O. & N.C. WIRING; ADD LABELS	19OCT15	WJR
2	CHANGE BRAKE CONN. & MOD. MOTOR WIRE COLORS	27DEC17	WJR

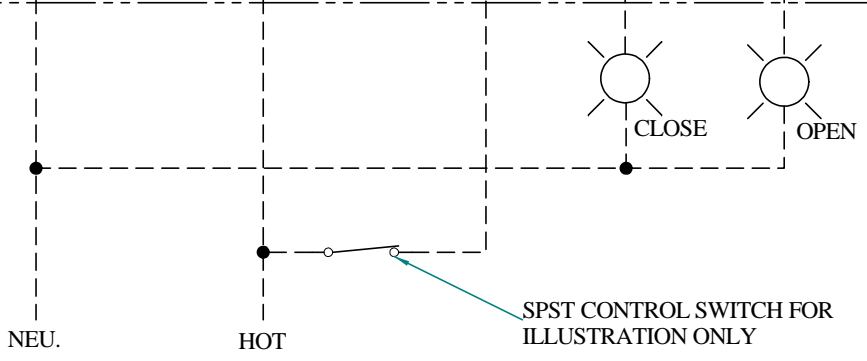
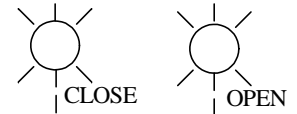
ACTUATOR SHOWN IN THE OPEN POSITION



**OPERATION:**  
 SUPPLY POWER IS ALWAYS ON.  
 CONTROL IS THROUGH THE VENDOR SUPPLIED CONTROL DEVICE. (SHOWN HERE AS A SPST SWITCH)  
 ACTUATOR SHOWN IN DIAGRAM IS WIRED FOR NORMALLY CLOSE OPERATION. ACTUATOR OPENS (CCW) WITH CONTACT CLOSURE OF CONTROL DEVICE. ACTUATOR CLOSES (CW) WHEN CONTROL CONTACT IS OPENED.

**CONNECTION:**  
 SUPPLY POWER TO T1 & T2  
 CONTROL VOLTAGE TO T4  
 TERMINALS T5 AND T6 FOR LIGHT INDICATION

**AC POWER SUPPLY WIRING IS THE SAME FOR 115VAC & 230VAC. USER INPUT POWER NEEDS TO MATCH THE ACTUATOR MOTOR VOLTAGE OR DAMAGE WILL OCCUR TO THE ACTUATOR!**



**FIELD WIRING**

<b>IC<sub>I</sub></b>		Indelac Controls, Inc. Florence, KY 41042
WIRING DIAGRAM, TWO POSITION AC ACTUATOR WITH TWO WIRE CONTROL & OPTIONAL HEATER/THERMOSTAT		
JLR	7-23-90	<b>W900723-B</b>