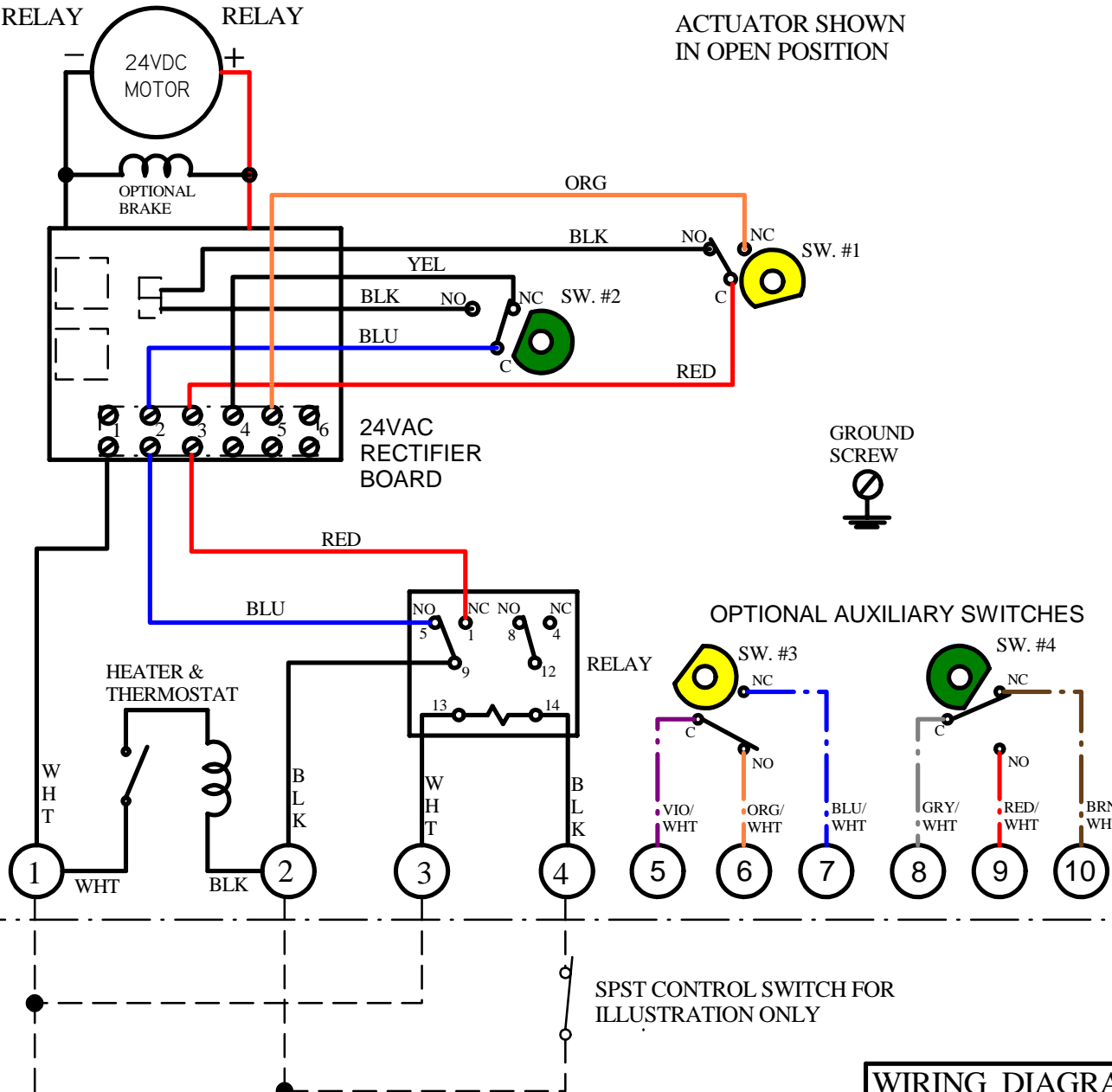
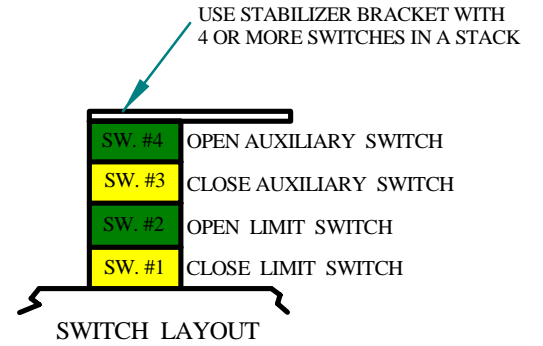


TO #12 ON RELAY TO #9 ON RELAY

ACTUATOR SHOWN IN OPEN POSITION



REV.	DESCRIPTION	DATE	BY
1	ADDED HEATER, CLEANED UP DWG, CHGD PART NO.	04APR16	WJR
2	CHANGED AUXILIARY SWITCH WIRE COLORS	08AUG16	WJR



NOTES:

POWER TO TERMINALS 1 & 2 ALL THE TIME TO POWER ACTUATOR. THIS WILL DRIVE ACTUATOR CLOSED.
 CONTROL POWER APPLIED TO TERMINALS 3 & 4 WILL DRIVE ACTUATOR OPEN. WHEN POWER IS REMOVED FROM TERMINAL 4, ACTUATOR WILL DRIVE BACK TO THE CLOSED POSITION.
 TERMINALS 5 THRU 10 ARE FOR OPTIONAL AUXILIARY SWITCHES.

DC MOTOR CONNECTIONS TO 24VAC BOARD:

S & MH = 9 (-); 12 (+)
 R & OTHER M = 9 (+); 12 (-)

N 24VAC SUPPLY POWER HOT FIELD WIRING

WIRING DIAGRAM, 24VAC ACTUATOR WITH 2 WIRE CONTROL & OPTIONAL BRAKE, HTR/THERMOSTAT & 2 AUXILIARY SWITCHES

ICI Indelac Controls, Co.
 Florence, Ky. 41042

07AUG16 WJR
W160807