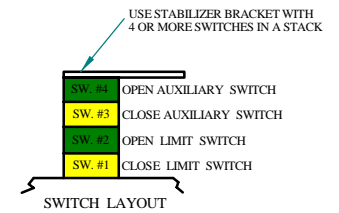
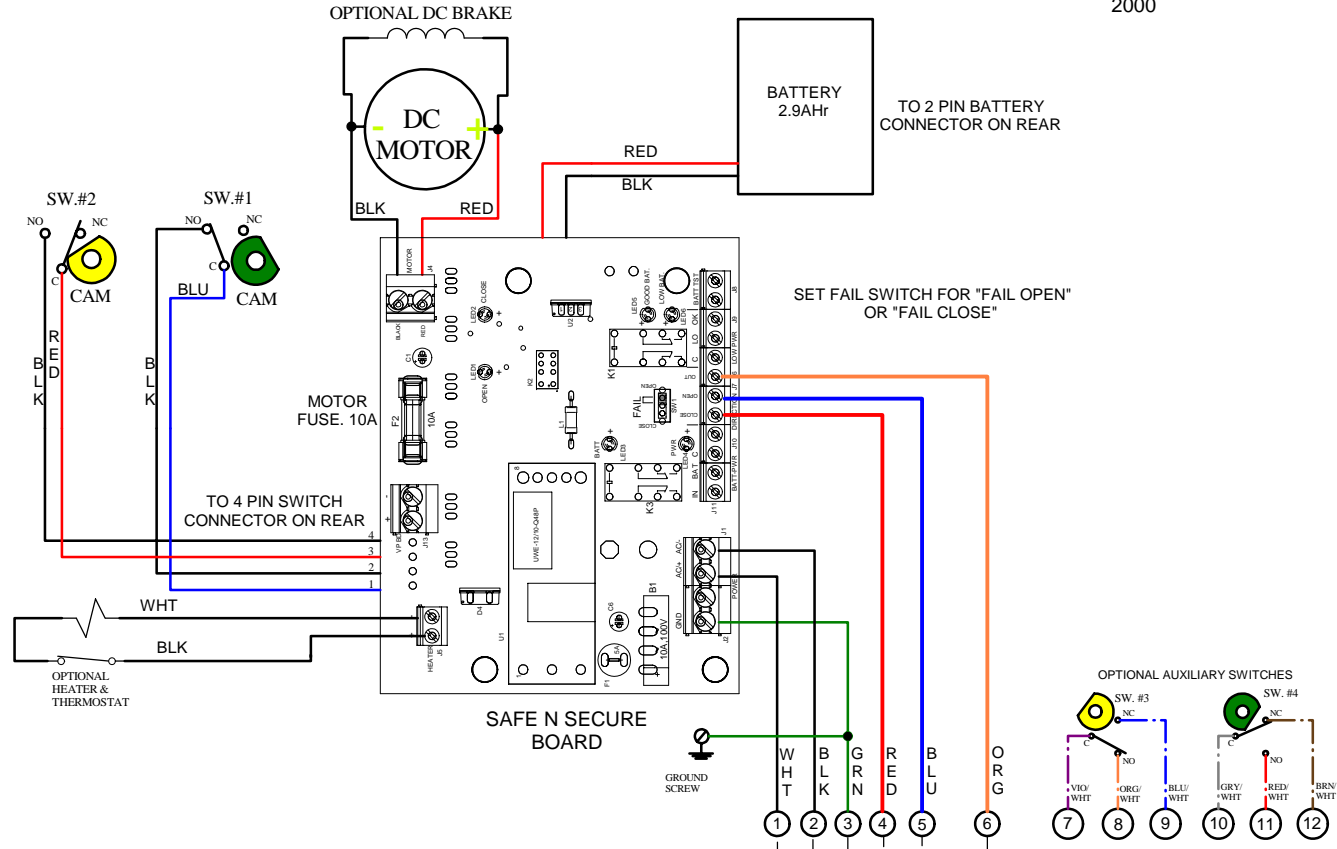


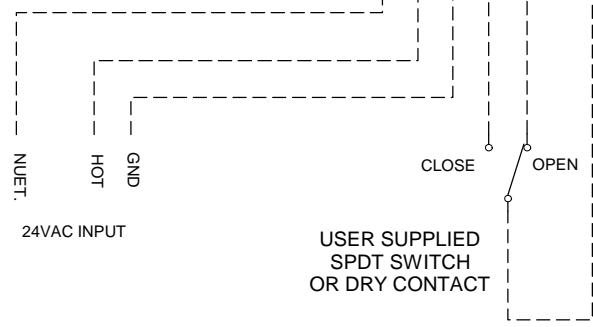
1	CHANGED AUX. SWITCH WIRE COLORS	14NOV16	WJR
---	---------------------------------	---------	-----

SAFE AND SECURE
2000



ACTUATOR SHOWN IN OPEN POSITION

- NOTES:**
- 1) INPUT POWER SOURCE TO BE 24VAC @ 6A MINIMUM TO THE ACTUATOR.
 - 2) MOTOR FUSE IS 5x20mm, 10A, 250VAC. INPUT FUSE IS PICO, TR5 AT 5A, 250VAC. POWER DELIVERED TO THE ACTUATOR WILL BE 24VAC.
 - 3) UNIT IS SHIPPED WITHOUT THE BATTERY PLUGGED IN. AFTER INSTALLING UNIT AND CONNECTING INCOMING POWER, PLUG THE POSITIVE BATTERY WIRE PUSH ON ONTO THE RED BATTERY TERMINAL.
 - 4) CAMS FOR LIMIT SWITCHES ARE PRESET AT THE FACTORY. TO INCREASE OR DECREASE VALVE MOTION, THE CAMS CAN BE ADJUSTED SLIGHTLY.
 - 5) THE FAIL SWITCH NEEDS TO BE SET IN EITHER THE FAIL "OPEN" POSITION OR FAIL "CLOSE" POSITION PRIOR TO INSTALLING THE COVER. WHEN INCOMING POWER FAILS OR IS TURNED OFF, THE ACTUATOR WILL MOVE TO THE SELECTED POSITION.
 - 6) WHEN INCOMING POWER IS PRESENT, BLUE LED WILL BE LIT AND ACTUATOR RUNS OFF OF INCOMING POWER. WHEN INCOMING POWER FAILS, BLUE LED WILL TURN OFF AND THE YELLOW BATTERY LED WILL LIGHT - ACTUATOR WILL NOW RUN OFF OF BATTERY POWER UNTIL INCOMING POWER IS RESTORED.
 - 7) RED LED WILL LIGHT WHEN BATTERY VOLTAGE GETS TOO LOW. GREEN LED WILL LIGHT WHEN BATTERY VOLTAGE IS ABOVE 10.5VDC.
 - 8) WHEN THE "OPEN" OR "CLOSE" SIGNAL IS DELIVERED TO THE ACTUATOR, THE APPROPRIATE LED WILL LIGHT.
 - 9) DRY CONTACTS ARE PROVIDED TO INDICATE BATTERY STATUS AND INCOMING POWER STATUS. BATTERY STATUS CAN BE CHECKED WITH THE INCOMING POWER ON BY SHORTING THE 2 BATT TEST POINTS J8-1 & 2 MOMENTARILY.



FIELD WIRING

IC I	Indelac Controls, Inc. Florence, Ky. 41042		
	WIRING DIAGRAM, SAFE N SECURE 2000, 24VAC, "L" SERIES; 2.9AHR BATTERY, WITH OPTIONAL AUXILIARY SWITCHES		
W150901			
WJR	01SEP15		