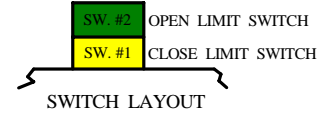
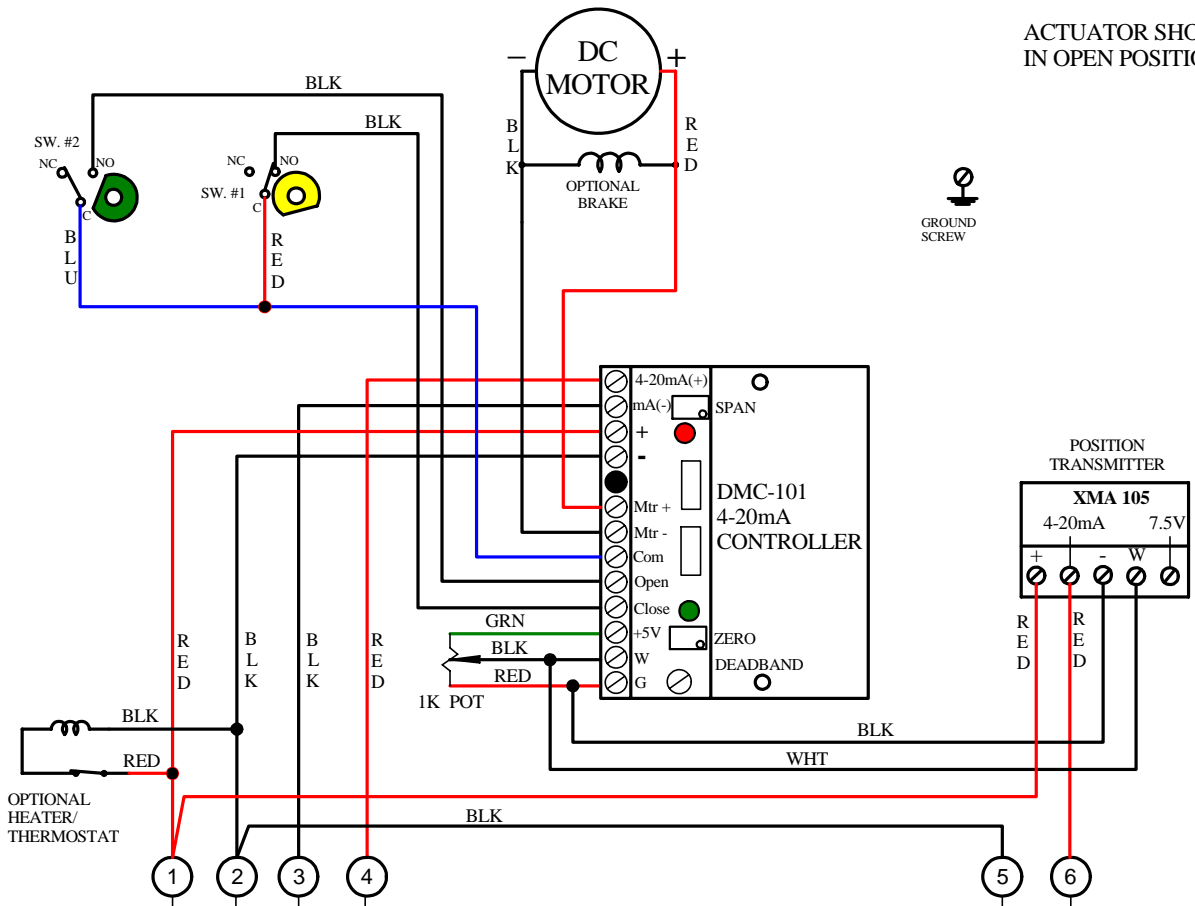


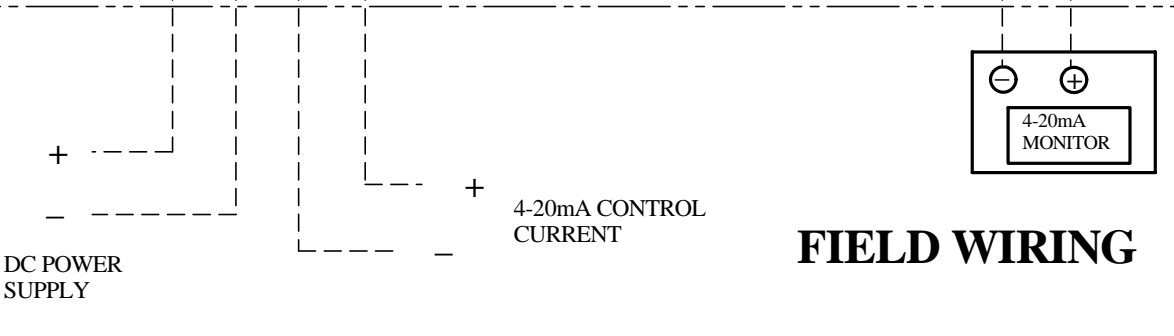
REV.	DESCRIPTION	DATE	BY
1	ADDED HEATER, BRAKE & TERMINAL STRIP; UPDATE DWG	25JUL16	WJR

ACTUATOR SHOWN  
IN OPEN POSITION



NOTE:  
THE FEEDBACK POTENTIOMETER AND LIMIT SWITCHES HAVE BEEN SET AT THE FACTORY - THEY DO NOT REQUIRE FURTHER CALIBRATION.

TO CALIBRATE THE OPEN AND CLOSE POSITION USE THE TRIM POTS LABELED Z (ZERO) FOR CLOSE AND S (SPAN) FOR OPEN. FEEDBACK TRANSMITTER CAN BE ADJUSTED TO GIVE APPROPRIATE OUTPUT SIGNAL TO MATCH POSITION BY ADJUSTING THE S (SPAN) & Z (ZERO) POTS ON THE TRANSMITTER BOARD.



### FIELD WIRING

*I C I* Indelac Controls, Inc.  
Florence, Ky. 41042

WIRING DIAGRAM, 12 & 24VDC "R" SERIES ACTUATOR WITH COMPACT DMC-101 4-20mA POSITIONER, 4-20mA TRANSMITTER & OPTIONAL HEATER / THERMOSTAT & BRAKE

22OCT14	OLD PRINT #: WDR4B-4to20	<b>W141022</b>
WJR		