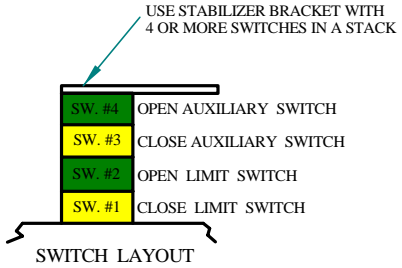
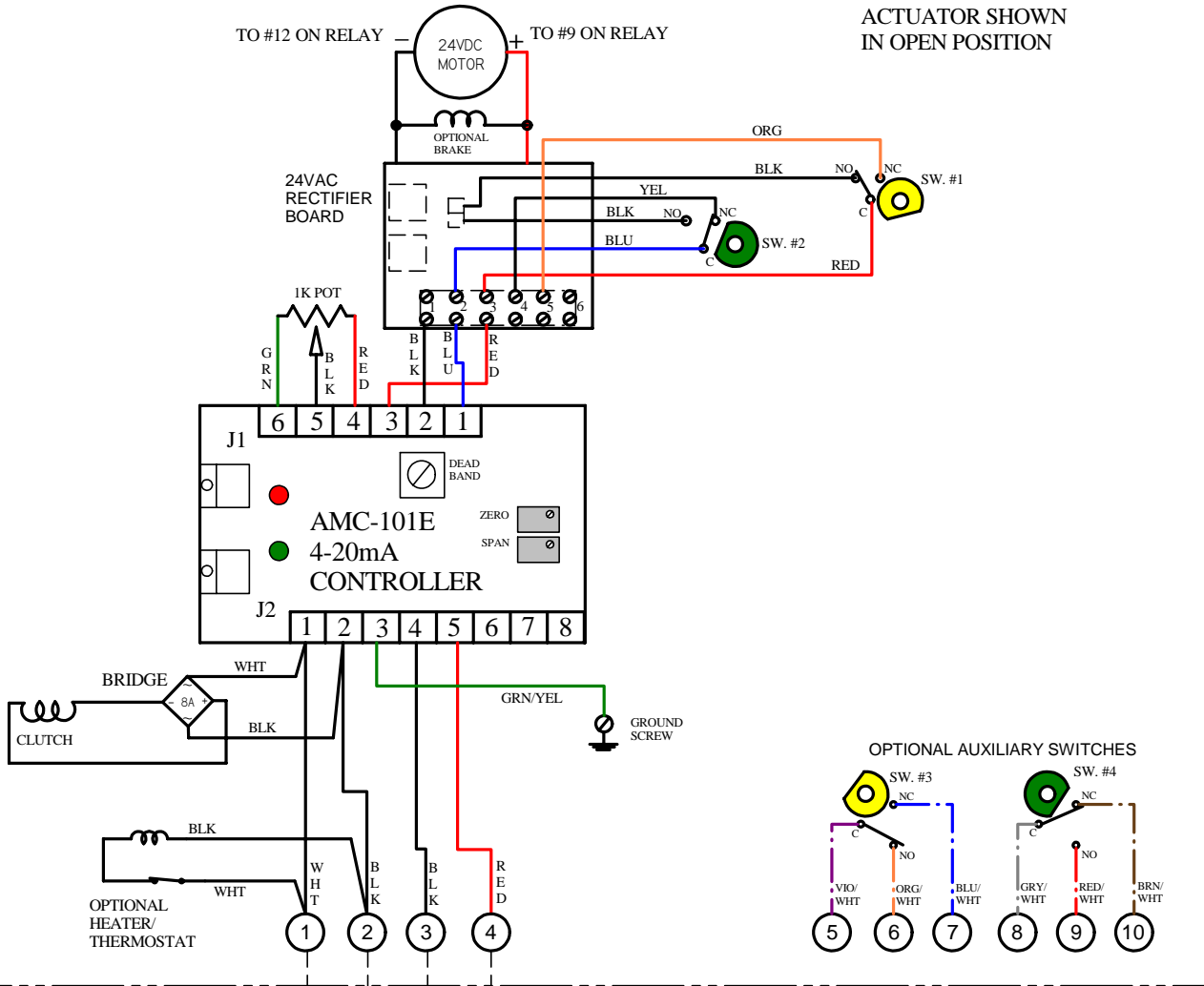


1	CHANGED BOARD, REMOVED RELAYS, WIRE COLORS	26SEP16	WJR
---	--	---------	-----

TO #12 ON RELAY - 24VDC MOTOR - TO #9 ON RELAY
 ACTUATOR SHOWN IN OPEN POSITION



NOTE:
 THE FEEDBACK POTENTIOMETER AND LIMIT SWITCHES HAVE BEEN SET AT THE FACTORY - THEY DO NOT REQUIRE FURTHER CALIBRATION.

TO CALIBRATE THE OPEN AND CLOSE POSITION USE THE TRIM POTS LABELED Z (ZERO) FOR CLOSE AND S (SPAN) FOR OPEN.

SPRING RETURN ACUTATOR IS EQUIPED WITH POWER ON CLUTCH THAT MUST BE POWERED ALL THE TIME TO OPERATE. WHEN CLUTCH IS DE-ENERGIZED, THE SPRING WILL DRIVE THE ACTUATOR TO THE FAIL POSITION.

24VAC POWER SUPPLY
 N -----
 HOT ----- +
 4-20mA CONTROL CURRENT

FIELD WIRING

I C I Indelac Controls, Inc.
 Florence, KY 41042

WIRING DIAGRAM, ASC SPRING RETURN, 24VAC WITH 4-20mA POSITIONER, OPT. AUX. SWITCHES & HEATER/THERMOSTAT

29SEP14	WJR	W140929
---------	-----	----------------