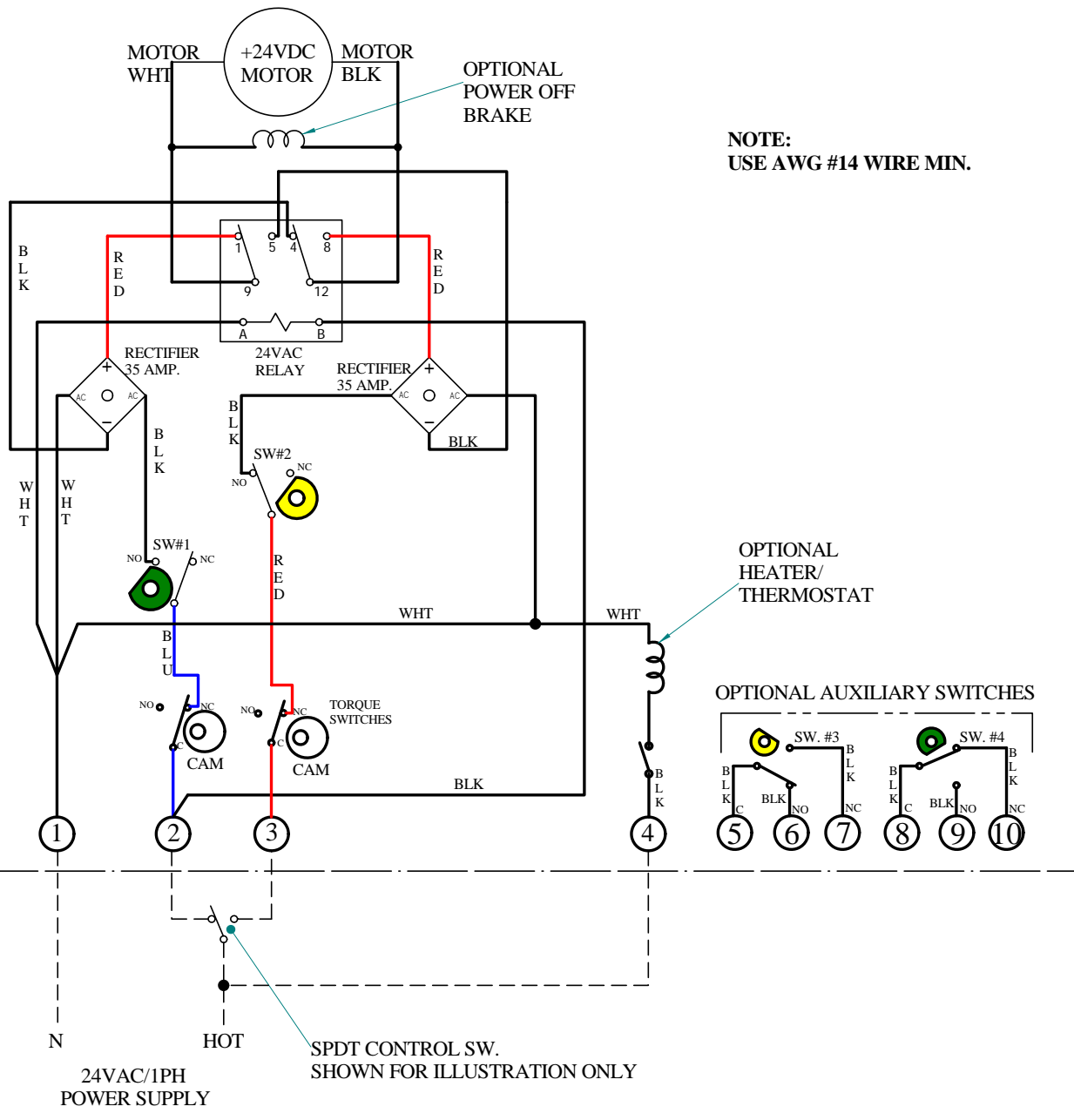


NO.	REVISION	DATE	BY



- SW.#4 OPEN AUX. SW.
- SW.#3 CLOSE AUX. SW.
- SW.#1 OPEN SW.
- SW.#2 CLOSE SW.

OPERATION:
 POWER TO 1 & 2 TO OPEN (CCW)
 POWER TO 1 & 3 TO CLOSE (CW)
 5, 6 & 7 AUX. SW. FOR CLOSE POSITION
 8, 9 & 10 AUX. SW. FOR OPEN POSITION

IC_I Indelac Controls, Inc.
 Florence, Ky. 41042

WIRING DIAGRAM, 24VAC, K
 SERIES ACTUATOR WITH OPTIONAL
 2 AUX. SWITCHES, HTR. AND BRAKE

23SEP14 WJR **W140923**