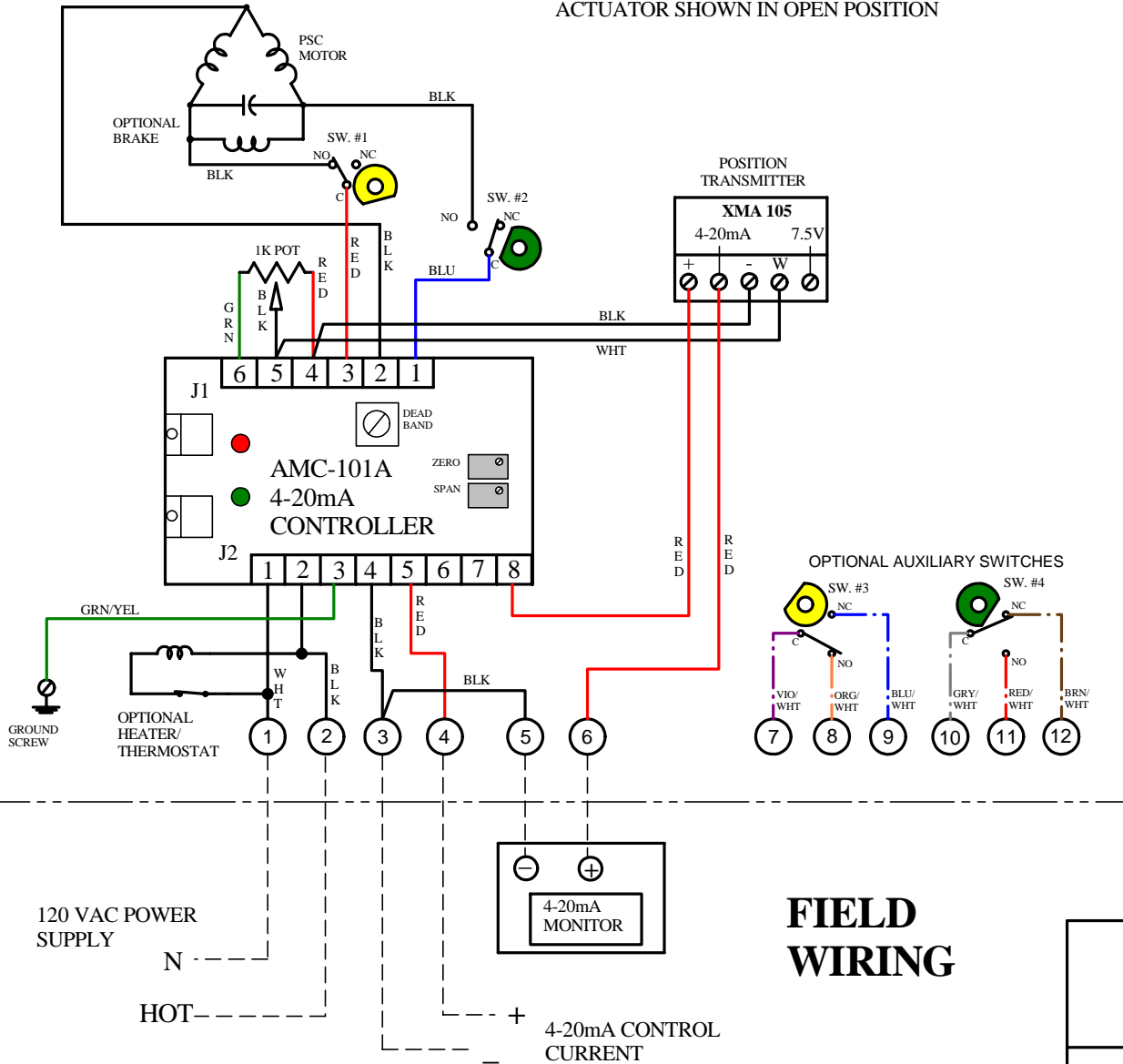
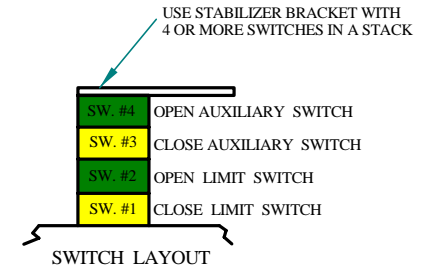


ACTUATOR SHOWN IN OPEN POSITION



FIELD WIRING

1	ADDED TERMINALS FOR POWER/SIG.	09JAN15	WJR
2	ADDED EARTH GND NOTE & CONN.	16JAN15	WJR
3	NEW WIRE COLOR CHNGE TO AUX SW	23MAR16	WJR



NOTE:
THE FEEDBACK POTENTIOMETER AND LIMIT SWITCHES HAVE BEEN SET AT THE FACTORY - THEY DO NOT REQUIRE FURTHER CALIBRATION. (S SERIES; J1-4 IS GREEN, J1-6 IS RED WIRE)

TO CALIBRATE THE OPEN AND CLOSE POSITION USE THE TRIM POTS LABELED Z (ZERO) FOR CLOSE AND S (SPAN) FOR OPEN.

STEP ONE SHOULD BE TO ADJUST THE ZERO POSITION AND STEP TWO IS TO ADJUST THE SPAN POSITION.

Indelac Controls, Inc. Florence, Ky. 41042			
WIRING DIAGRAM, AC ELECTRIC ACTUATOR WITH 4-20mA POSITIONER & TRANSMITTER, WITH OPTIONAL 2 AUX. SWITCHES, HEATER/THERMOSTAT & BRAKE			
W140904			B
JLR	04SEP14		