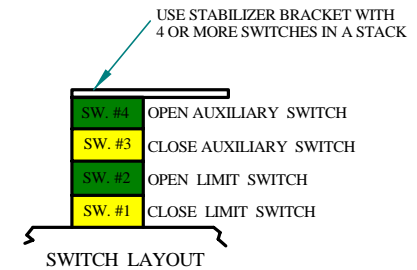
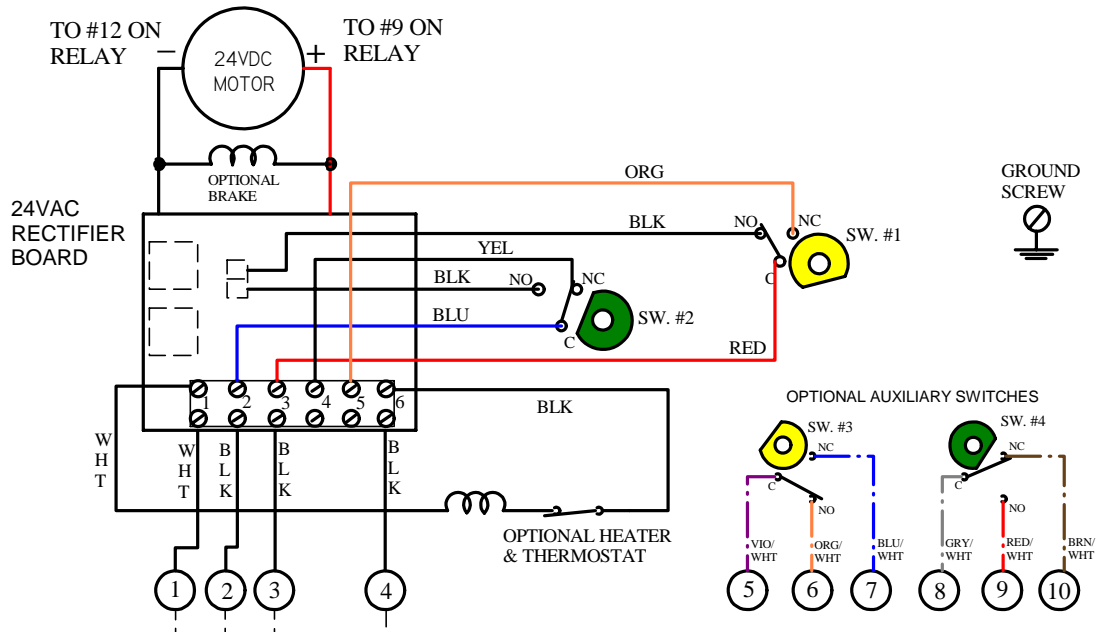


REV.	DESCRIPTION	DATE	BY
1	CHANGED AUX. SWITCH WIRE COLORS; ADD STABILZ	26APR16	WJR

ACTUATOR SHOWN IN OPEN POSITION



SPDT CONTROL SWITCH SHOWN FOR ILLUSTRATION ONLY

N HOT

24V.A.C. SUPPLY POWER

FIELD WIRING

NOTES:

POWER TO TERMINALS ONE & TWO OPENS THE VALVE (CCW ROTATION)
 POWER TO TERMINALS ONE & THREE CLOSES THE VALVE (CW ROTATION)
 TERMINAL 4 FOR HEATER CONNECTION.
 TERMINALS 5 THROUGH 10 FOR AUXILIARY SWITCH CONNECTIONS.

MOTOR WIRE RELAY CONNECTIONS:

"SD" 9 SECOND UNIT & "MH" = (+) PIN 12 // (-) PIN 9
 ALL OTHERS = (+) PIN 9 // (-) PIN 12

WIRING DIAGRAM, 24VAC M & L SERIES
 ACTUATOR WITH 2 AUXILIARY SWITCHES
 & OPTIONAL HEATER / THERMOSTAT

I C I Indelac Controls, Co. 06NOV13 WJR
 Florence, Ky. 41042
W131106B