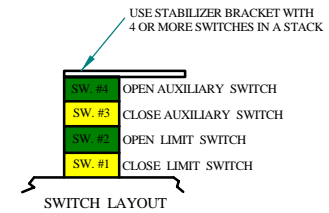
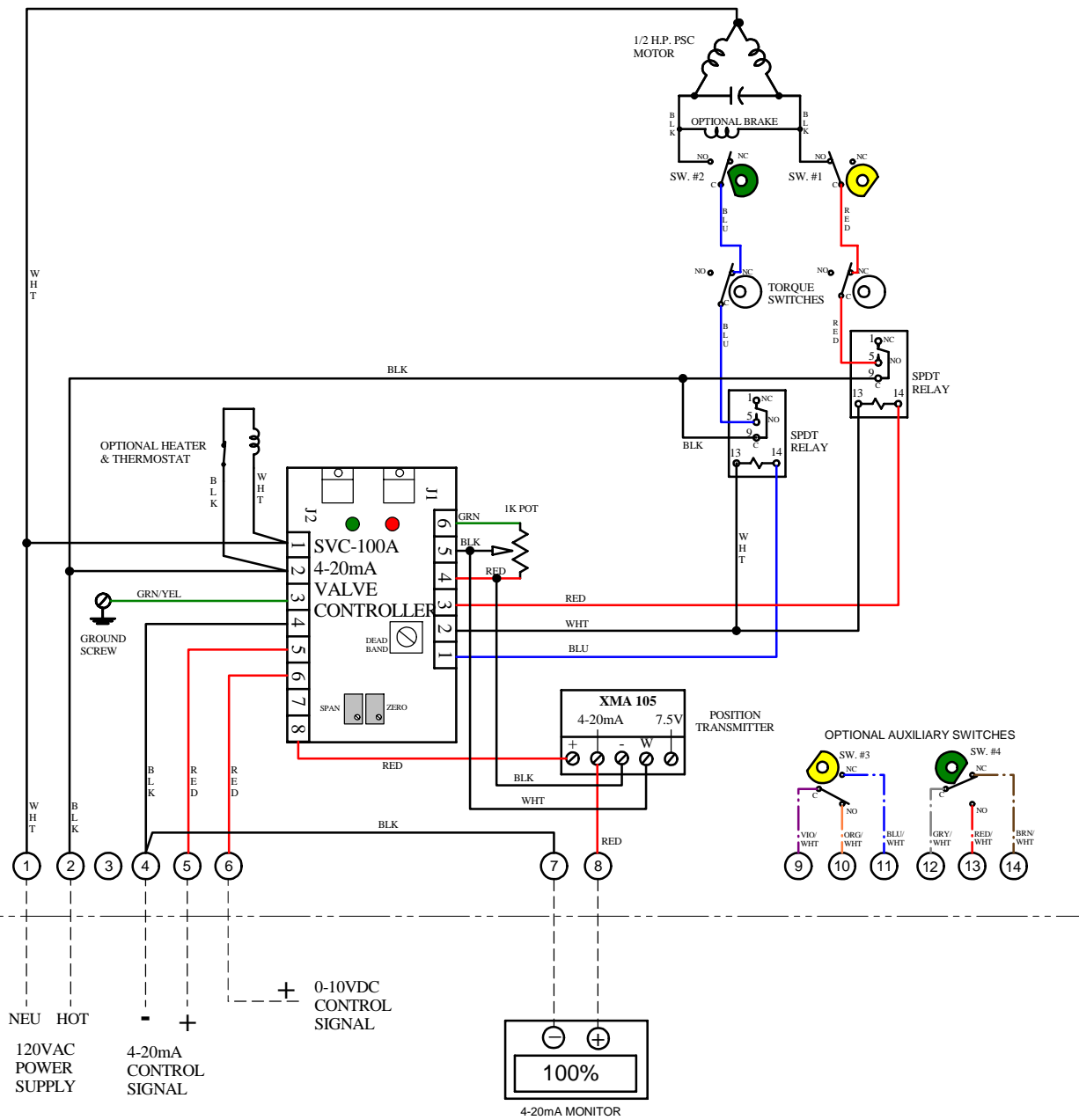


REV.	DESCRIPTION	DATE	BY
1	REDRAWN; NEW AUX. SWITCH WIRE COLORS & ADD BRAKE	20JUN16	WJR



NOTES:
 ACTUATOR SHIPPED IN OPEN POSITION.
 20mA REPRESENTS OPEN POSITION.
 DO NOT ADJUST FEEDBACK POTENTIOMETER OR LIMIT SWITCHES THEY ARE FACTORY SET AND DO NOT REQUIRE CALIBRATION.
 TO CALIBRATE THE OPEN AND CLOSE POSITION USE THE ZERO (4mA) AND SPAN (20mA) TRIM POTENTIOMETERS, FOR DETAILS SEE THE MANUAL.

THE SVC-100A CONTROLLER IS DESIGNED TO CONTROL THE RELAY COILS THAT TURN ON THE CONTACTS TO POWER THE MOTOR DIRECTION.

THE TORQUE SWITCH MAY REQUIRE ADDITIONAL CALIBRATION.

FIELD WIRING

IC_I Indelac Controls, Inc. Florence, Ky. 41042	
WIRING DIAGRAM, 1/2 H.P. AC MOTOR K SERIES ACTUATOR WITH 4-20mA POSITIONER, 4-20mA TRANSMITTER, OPTIONAL TWO AUXILIARY SWITCHES, BRAKE AND HEATER	
JLR	6-6-2012 W120606