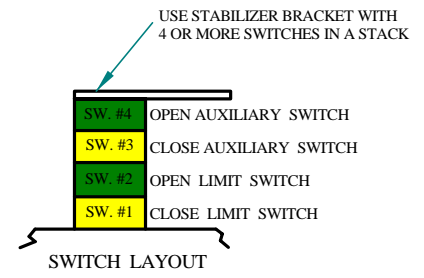
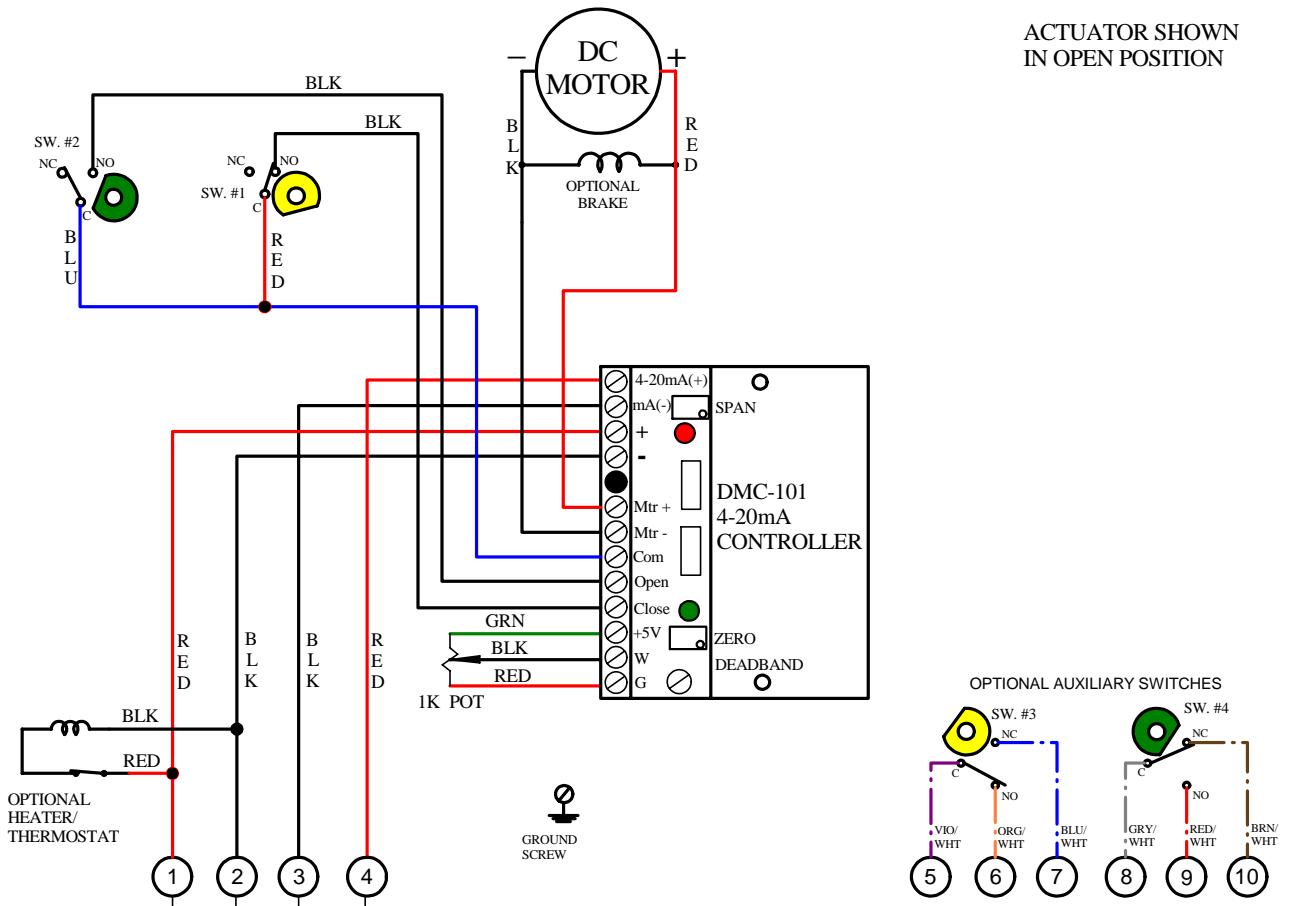


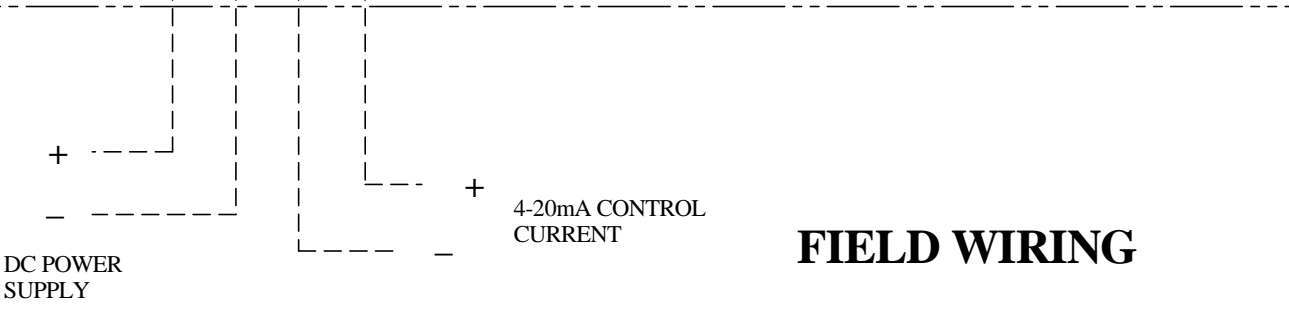
REV.	DESCRIPTION	DATE	BY
1	ADDED TERMINAL BLOCK AND WIRE COLORS	30APR15	WJR
2	ADDED HEATER, BRAKE, AUX. SWITCHES; UPDATE DWG	25JUL16	WJR

ACTUATOR SHOWN
IN OPEN POSITION



NOTE:
THE FEEDBACK POTENTIOMETER AND LIMIT SWITCHES HAVE BEEN SET AT THE FACTORY - THEY DO NOT REQUIRE FURTHER CALIBRATION.

TO CALIBRATE THE OPEN AND CLOSE POSITION USE THE TRIM POTS LABELED Z (ZERO) FOR CLOSE AND S (SPAN) FOR OPEN.



I C I Indelac Controls, Inc.
Florence, Ky. 41042

WIRING DIAGRAM, 12 & 24VDC "R" SERIES ACTUATOR WITH COMPACT DMC-101 4-20mA POSITIONER, OPTIONAL HEATER / THERMOSTAT, 2 AUXILIARY SWITCHES & BRAKE

4/26/2012	OLD PRINT #: WDR4B-4to20	W120426
JLR		