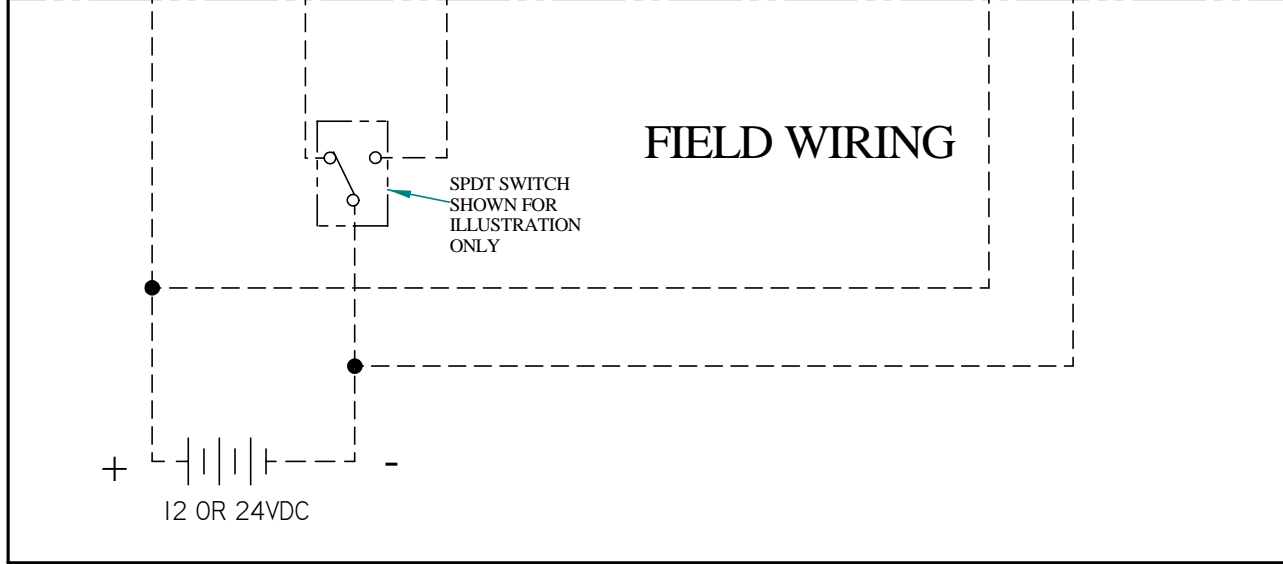


REV	DESCRIPTION	DATE	APPR
1	ADDED BRAKE	1-17-14	JLR
2	ADDED WIRE COLORS & CLEANED UP DRAWING	31MAY16	WJR
3	ADDED 12VDC RELAY PINOUT VIEW	25APR17	WJR
4	REMOVE OPTIONAL BRAKE	20 JUN 23	DJB



OPERATION:  
 POWER TO 1 & 2 FOR CCW ROTATION (OPEN)  
 POWER TO 1 & 3 FOR CW ROTATION (CLOSE)  
 TERMINALS 4 & 5 FOR LIGHT INDICATION  
 TERMINALS 9 & 10 FOR HEATER, THERMOSTAT & CLUTCH  
 RELAY TO BE 15A FOR 24VDC & 20A FOR 12VDC CONTACT RATED.

<b>Indelac Controls, Inc.</b> Florence, Ky. 41042		
WIRING DIAGRAM, SPRING RETURN, 12 OR 24VDC ASC4 - ASC10, FAIL WITH LOSS OF POWER, WITH CLUTCH & HEATER/THERMOSTAT		
JLR	6-21-2011	W110621