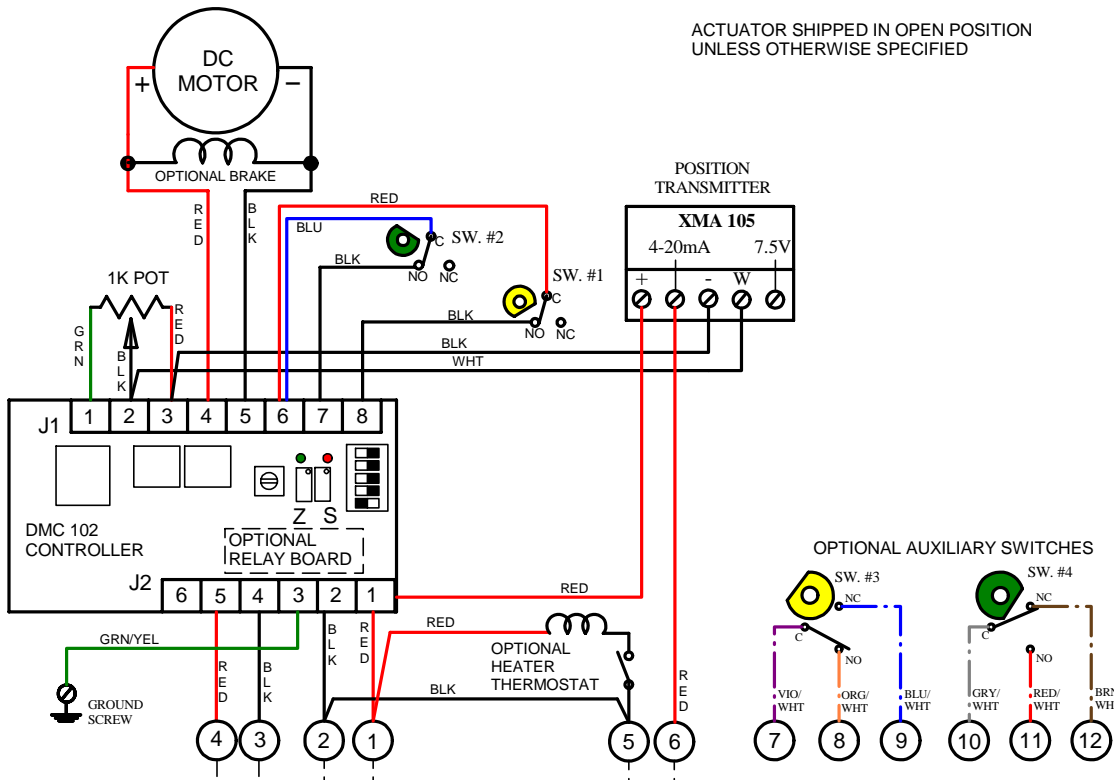
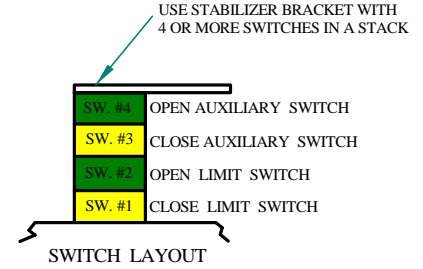


ACTUATOR SHIPPED IN OPEN POSITION  
UNLESS OTHERWISE SPECIFIED



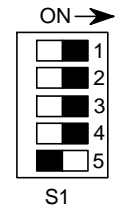
1	MODIFIED LIMIT SW WIRE COLORS	03FEB15	WJR
2	NEW VENDOR BD. PINOUT CONN.	08JUN15	WJR
3	CHANGED AUX SWITCH WIRE COLORS	28MAR16	WJR



SPECIFICATIONS

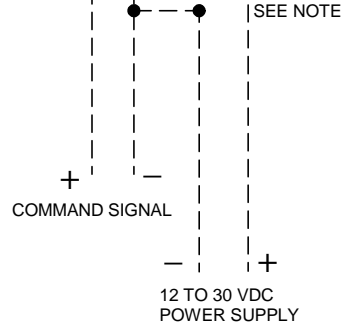
POWER REQUIREMENTS:  
Operating voltage...10 to 30 VDC

DC MOTOR OUTPUTS:  
Maximum locked rotor current = 60A  
Full Load Amps = 10A



NOTES:

THE FEEDBACK POTENTIOMETER AND LIMIT SWITCHES HAVE BEEN SET AT THE FACTORY - THEY DO NOT REQUIRE FURTHER ADJUSTMENT.  
TO CALIBRATE THE OPEN AND CLOSE POSITION, USE THE ZERO (4mA) AND SPAN (20mA) POTS ON THE CONTROLLER BOARD.  
THE 4-20mA OUTPUT CAN BE FINE TUNED USING THE ZERO AND SPAN POTS ON THE TRANSMITTER BOARD.  
SEE MANUAL FOR S1 SWITCH SETTINGS. SETTINGS ABOVE ARE FOR NORMAL CONTROL FUNCTION, 4-20mA CONTROL SIGNAL AND MOTOR OFF IF COMMAND SIGNAL IS LOST (STANDARD).  
**THE USER IS REQUIRED TO MAKE SURE THAT THE DC POWER GROUND (-) AND THE CONTROL SIGNAL GROUND (-) ARE TIED TOGETHER.**



FIELD WIRING

		Indelac Controls, Inc.	
		Florence, Ky. 41042	
WIRING DIAGRAM, DC ACTUATOR WITH 4-20mA POSITIONER, TRANSMITTER & OPTIONAL HEATER/THERMOSTAT, BRAKE & AUX. SWITCHES			
<p style="text-align: center;"><b>W090911</b></p>			B
JLR	9-11-2009		