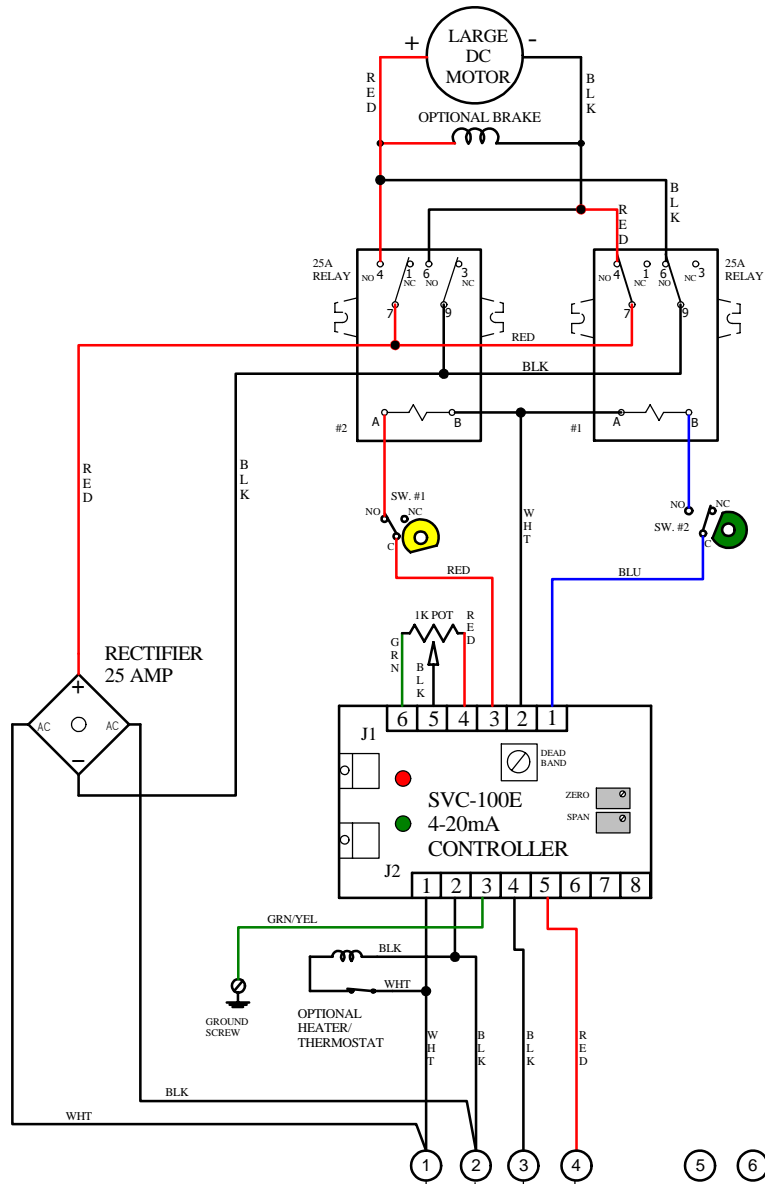
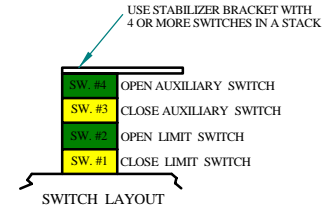
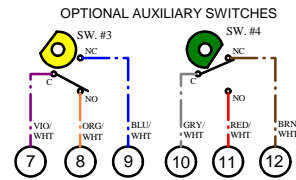


REV.	DESCRIPTION	DATE	BY
2	CHANGED PIN #S FOR RELAY, ADD TERMINAL STRIP & ALT. PINOUT	27MAR14	WJR
3	CHANGED AUX. SWITCH WIRE COLORS & REDRAWN W/CHGS	26JUL16	WJR

ACTUATOR SHOWN IN OPEN POSITION



NOTE:
USE AWG #14 WIRE MIN.



NOTE:
THE FEEDBACK POTENTIOMETER AND LIMIT SWITCHES HAVE BEEN SET AT THE FACTORY - THEY DO NOT REQUIRE FURTHER CALIBRATION.

TO CALIBRATE THE OPEN AND CLOSE POSITION USE THE TRIM POTS LABELED Z (ZERO) FOR CLOSE AND S (SPAN) FOR OPEN.

24VAC POWER SUPPLY
N
HOT
+
4-20mA CONTROL CURRENT

FIELD WIRING

IC_I Indelac Controls, Inc.
Florence, Ky. 41042

WIRING DIAGRAM, 24VAC "L" SERIES ACTUATOR WITH 4-20mA POSITIONER, OPTIONAL 2 AUXILIARY SWITCHES, BRAKE & HEATER /THERMOSTAT

OLD DWG. #:	03-30-09	JLR	W090330
-------------	----------	-----	----------------