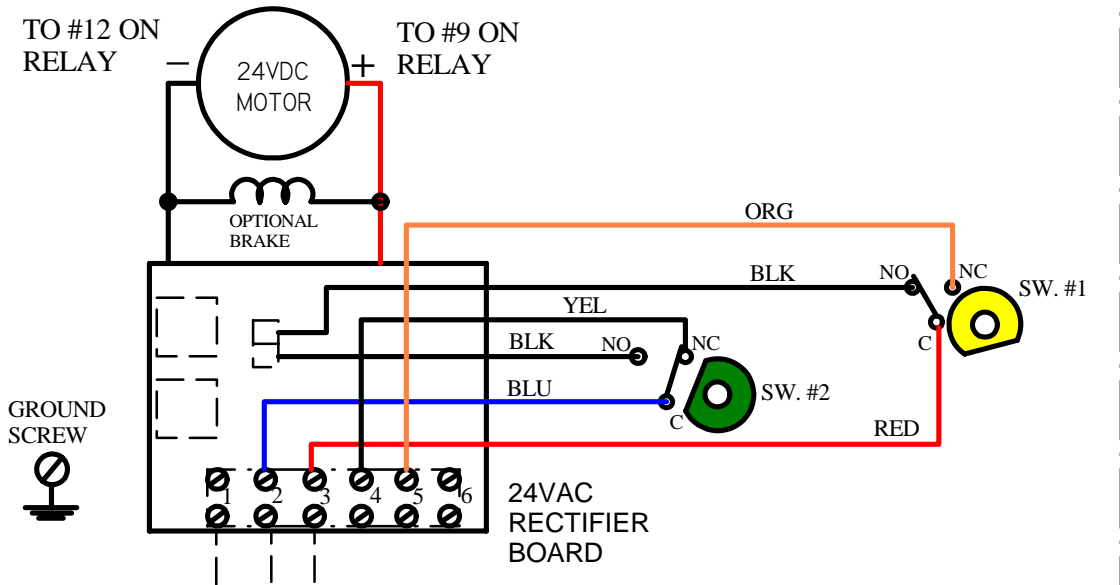
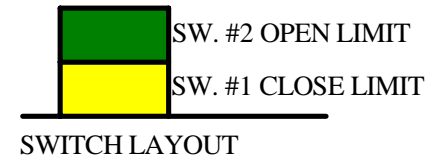


ACTUATOR SHOWN
IN OPEN POSITION



REV.	DESCRIPTION	DATE	BY
1	ADDED DC MOTOR NOTE; CLEANED UP BOARD VIEW	25MAR16	WJR



NOTES:

- POWER TO TERMINALS 1 & 2 TO OPEN VALVE (CCW ROTATION)
- POWER TO TERMINALS 1 & 3 TO CLOSE VALVE (CW ROTATION)
- TERMINALS 4 AND 5 LIGHT INDICATION
- TERMINAL #6 NOT USED

DC MOTOR CONNECTIONS TO 24VAC BOARD:

- S & MH = 9 (-); 12 (+)
- R & OTHER M = 9 (+); 12 (-)

FIELD WIRING

WIRING DIAGRAM, 24VAC ELECTRIC ACTUATOR WITH
OPTIONAL BRAKE

I C I Indelac Controls, Co.
Florence, Ky. 41042

1-27-09 JLR

W090128