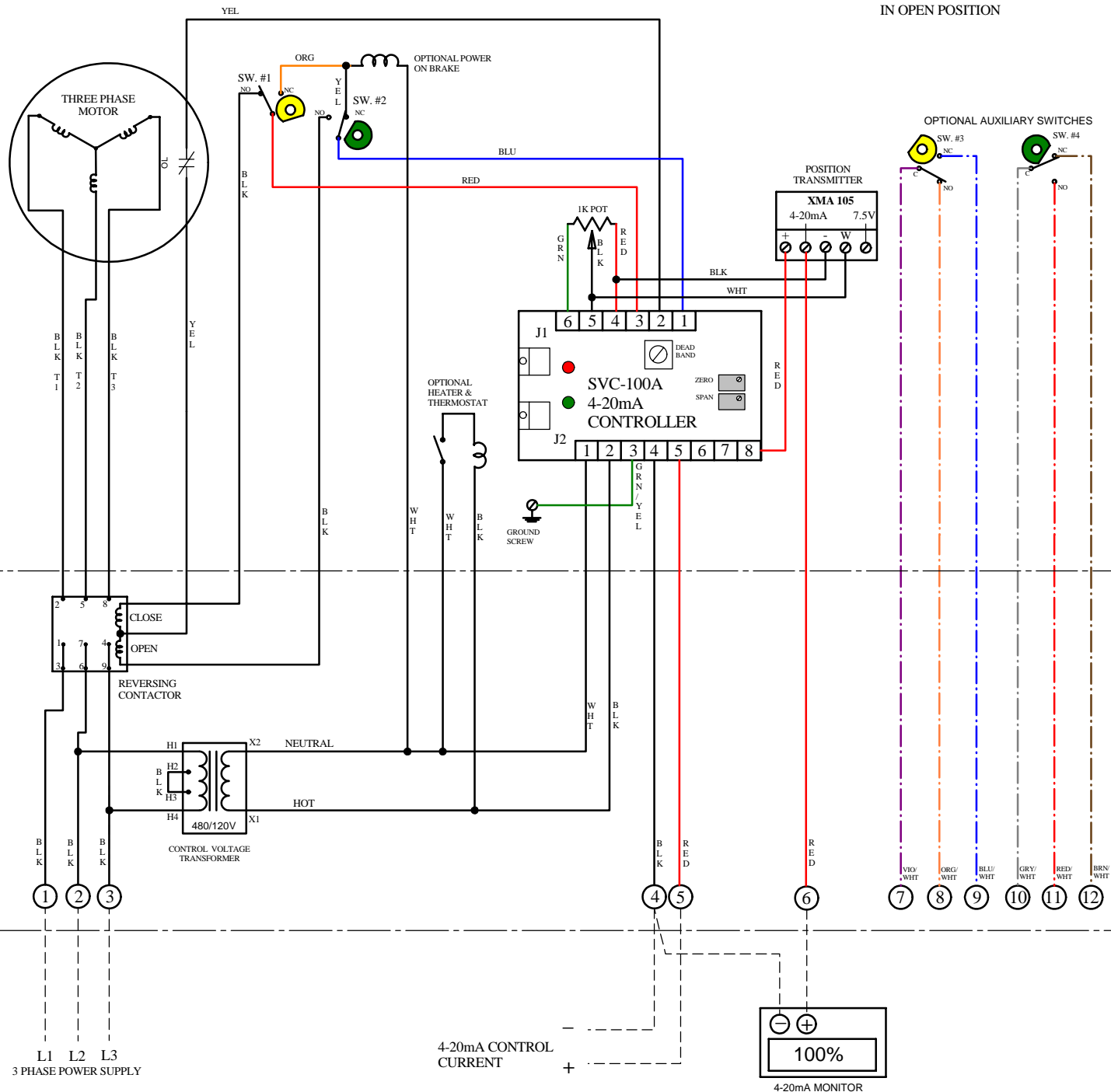
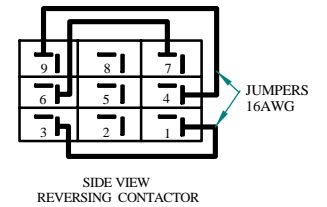
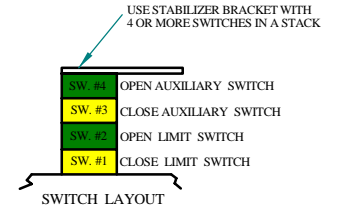


REV	DESCRIPTION	DATE	BY
1	CHANGED AUXILIARY SWITCH WIRE COLORS; REDRAWN	04AUG16	WJR

ACTUATOR SHOWN
IN OPEN POSITION



FIELD WIRING



NOTES:
THE FEEDBACK POTENTIOMETER AND LIMIT SWITCHES HAVE BEEN SET AT THE FACTORY - THEY DO NOT REQUIRE FURTHER ADJUSTMENT.
TO CALIBRATE THE OPEN AND CLOSE POSITION, USE THE ZERO (4mA) AND SPAN (20mA) POTS ON THE CONTROLLER BOARD.
THE 4-20mA OUTPUT CAN BE FINE TUNED USING THE ZERO AND SPAN POTS ON THE TRANSMITTER BOARD.
CHECK THE DIRECTION OF ROTATION FOR OPEN (CCW) AND CLOSE (CW) OPERATION. SWITCH BLACK LEADS TO THE REVERSING CONTACTOR COILS IF ACTUATOR IS NOT ROTATING THE PROPER DIRECTION.

I_CI		Indelac Controls, Inc.	
		Florence, Ky. 41042	
WIRING DIAGRAM, 3 PHASE L SERIES ACTUATOR WITH 4-20mA POSITIONER, 4-20mA TRANSMITTER, REVERSING CONTACTOR, CONTROL TRANSFORMER, OPTIONAL 2 AUXILIARY SWITCHES & HEATER			
JLR	10-25-07	W071025	