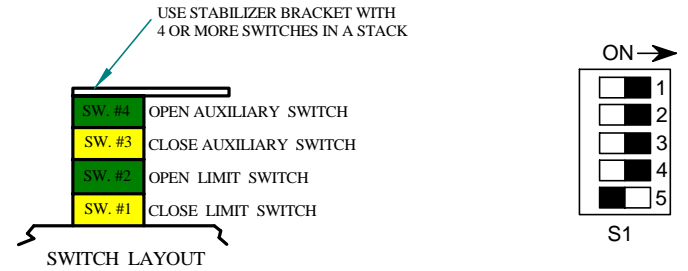
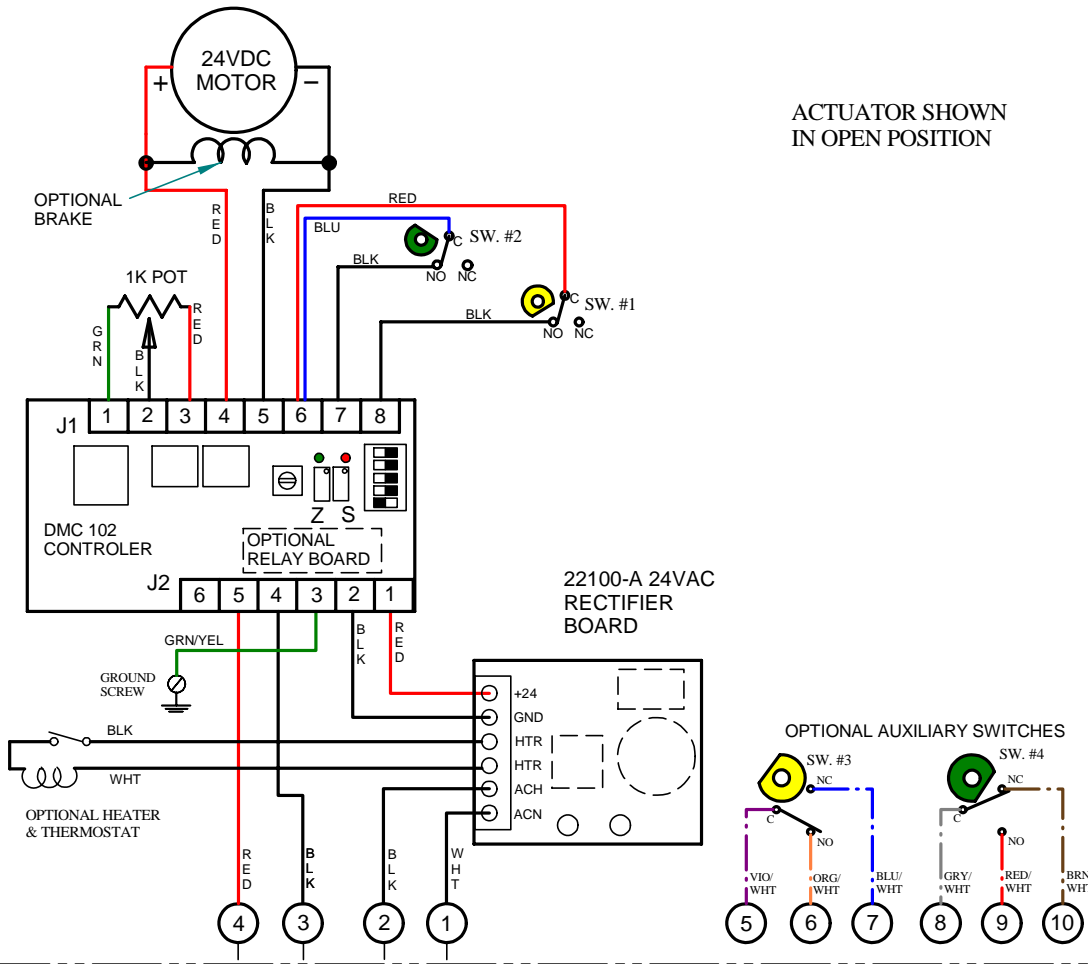


REV	DESCRIPTION	DATE	BY
1	ADDED WIRE COLORS TO DIAGRAM	18MAR14	WJR
2	MODIFIED TERM BLK TO ADD POWER	05SEP14	WJR
3	CHANGED AUX SWITCH WIRE COLORS	25MAR16	WJR
4	UPDATED RECTIFIER BOARD TO 22100; 24VAC/24VDC	11FEB19	WJR

ACTUATOR SHOWN
IN OPEN POSITION

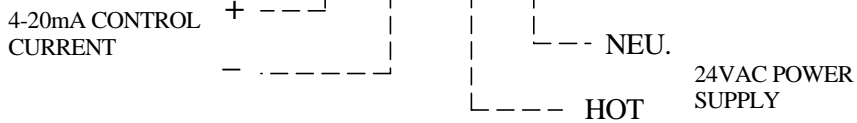


NOTES:
 FEEDBACK POTENTIOMETER AND LIMIT SWITCHES ARE PRESET AT THE FACTORY AND DO NOT REQUIRE ADJUSTMENT. ADJUST THE OPEN AND CLOSE OF THE VALVE USING THE ZERO (4mA) AND SPAN (20mA) POTS ON THE CONTROLLER BOARD.

SEE MANUAL FOR CONTROLLER S1 SWITCH SETTINGS. SETTINGS ABOVE ARE FOR NORMAL CONTROL FUNCTION, 4-20mA CONTROL SIGNAL AND MOTOR OFF IF COMMAND SIGNAL IS LOST (STANDARD). OPERATING VOLTAGE = 10-30VDC.

RECTIFIER BOARD IS SINGLE PHASE BRIDGE WITH CAPACITOR.

FIELD WIRING



<i>ICI</i>		Indelac Controls, Inc. Florence, Ky. 41042
WIRING DIAGRAM, 24VAC ELECTRIC ACTUATOR WITH 4-20mA POSITIONER & OPTIONAL 2 AUXILIARY SWITCHES, HEATER & BRAKE		
JLR	11-29-2006	W061129