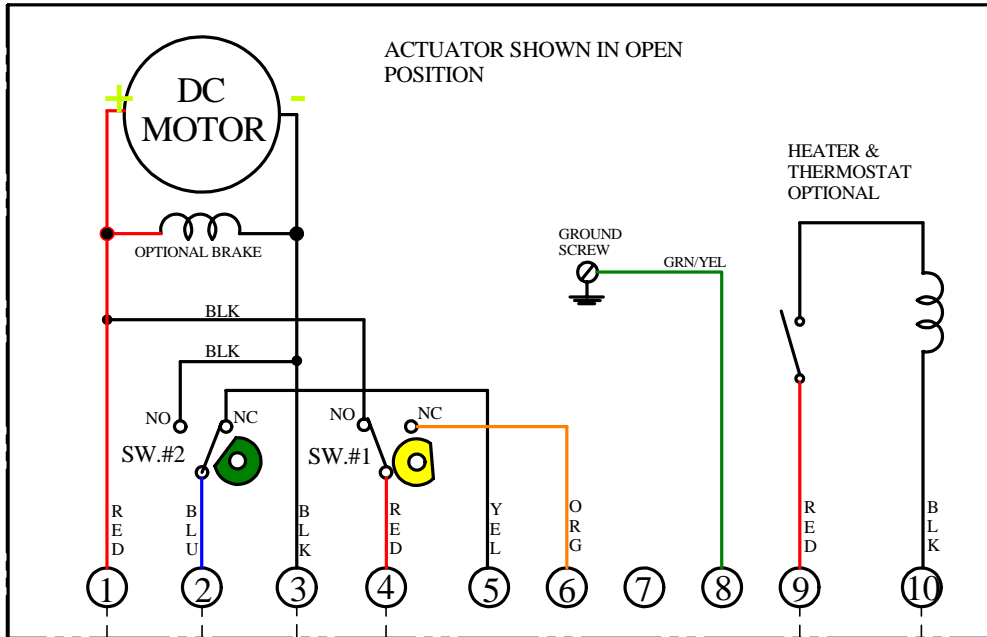
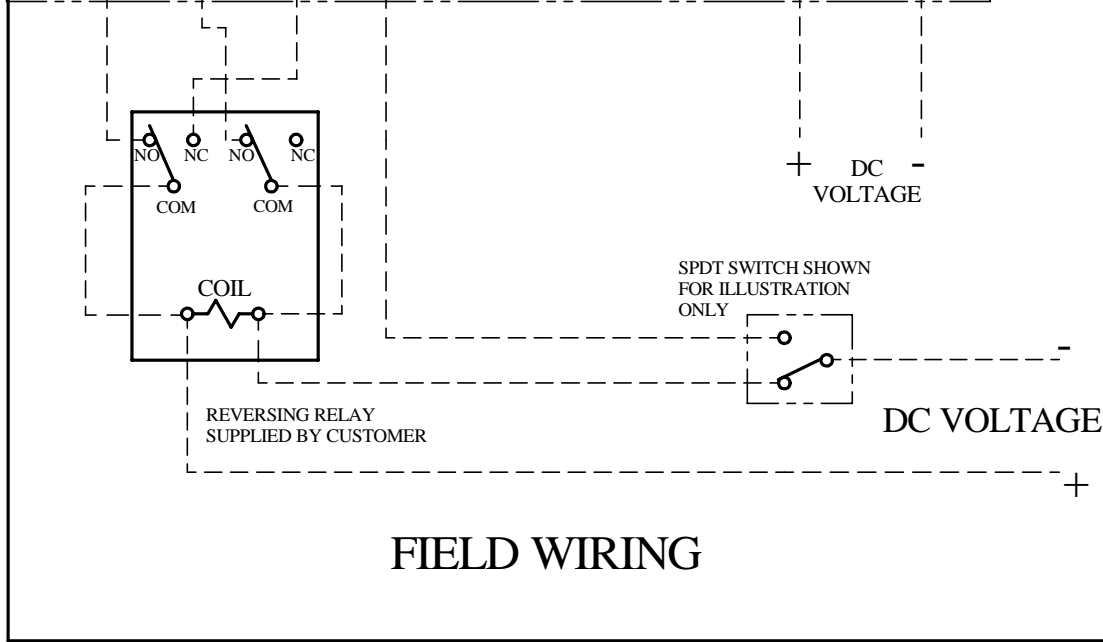


1	ADD HEATER, BRAKE AND CLEAN UP	25MAR16	WJR
2	ADDED ACTUATOR WIRING NOTE	22JUL16	WJR



**OPERATION:**  
 POS. TO 1 & NEG. TO 2 TO OPEN (CCW)  
 POS. TO 3 & NEG. TO 4 TO CLOSE (CW)  
 5 & 6 FOR LIGHT INDICATION  
 9 & 10 FOR OPTIONAL HEATER/THERMOSTAT

**NOTE:**  
 FOR MR, MS & ML, MOTOR WIRED AS SHOWN.  
 FOR R, S SERIES & MH, REVERSE (+) & (-)  
 MOTOR WIRES.



		<b>ICI</b> Indelac Controls, Inc. Florence, Ky. 41042	
		WIRING DIAGRAM, DC VOLTAGE ELECTRIC ACTUATOR W/OPTIONAL HEATER & BRAKE	
		<b>W060131</b>	<b>B</b>
JLR	10-4-2001		