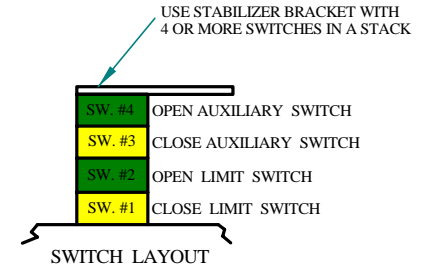
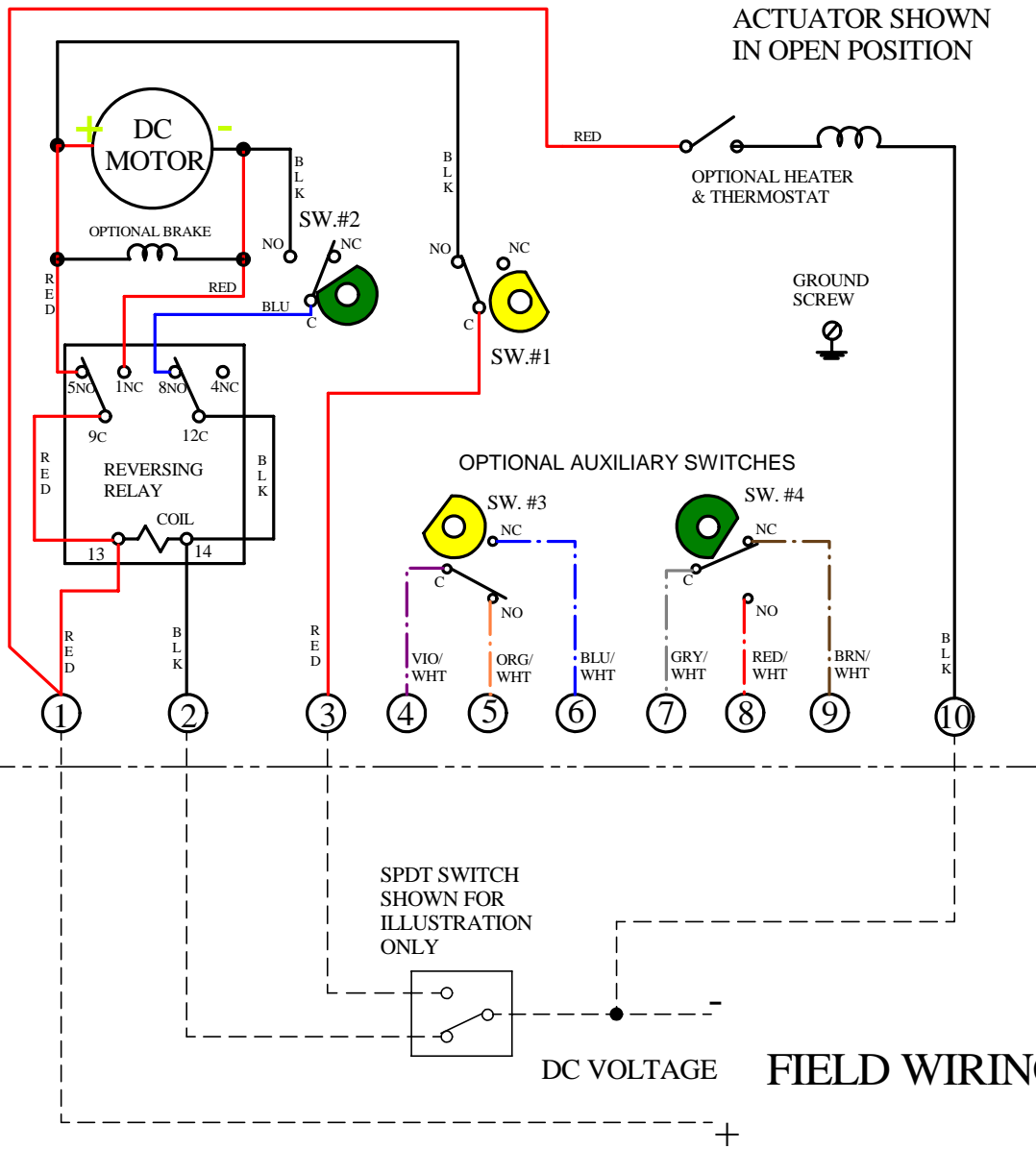


REV.	DESCRIPTION	DATE	BY
1	CHANGED AUXILIARY SWITCH WIRE COLORS	07JUN16	WJR

ACTUATOR SHOWN
IN OPEN POSITION



OPERATION:
 POWER TO 1 & 2 TO OPEN (CCW)
 POWER TO 1 & 3 TO CLOSE (CW)

OPTIONAL AUXILIARY SWITCH CONNECTIONS:
 4, 5 & 6 AUX. SW. FOR CLOSE POSITION
 7, 8 & 9 AUX. SW. FOR OPEN POSITION
 10 RESERVED FOR HEATER & THERMOSTAT.

IC_I		Indelac Controls, Inc. Florence, Ky. 41042
WIRING DIAGRAM, "R" & "S" SERIES DC ACTUATOR WITH REVERSING RELAY & OPTIONAL 2 AUXILIARY SWITCHES, BRAKE & HEATER /THERMOSTAT		
JLR	4-1-03	W030401A