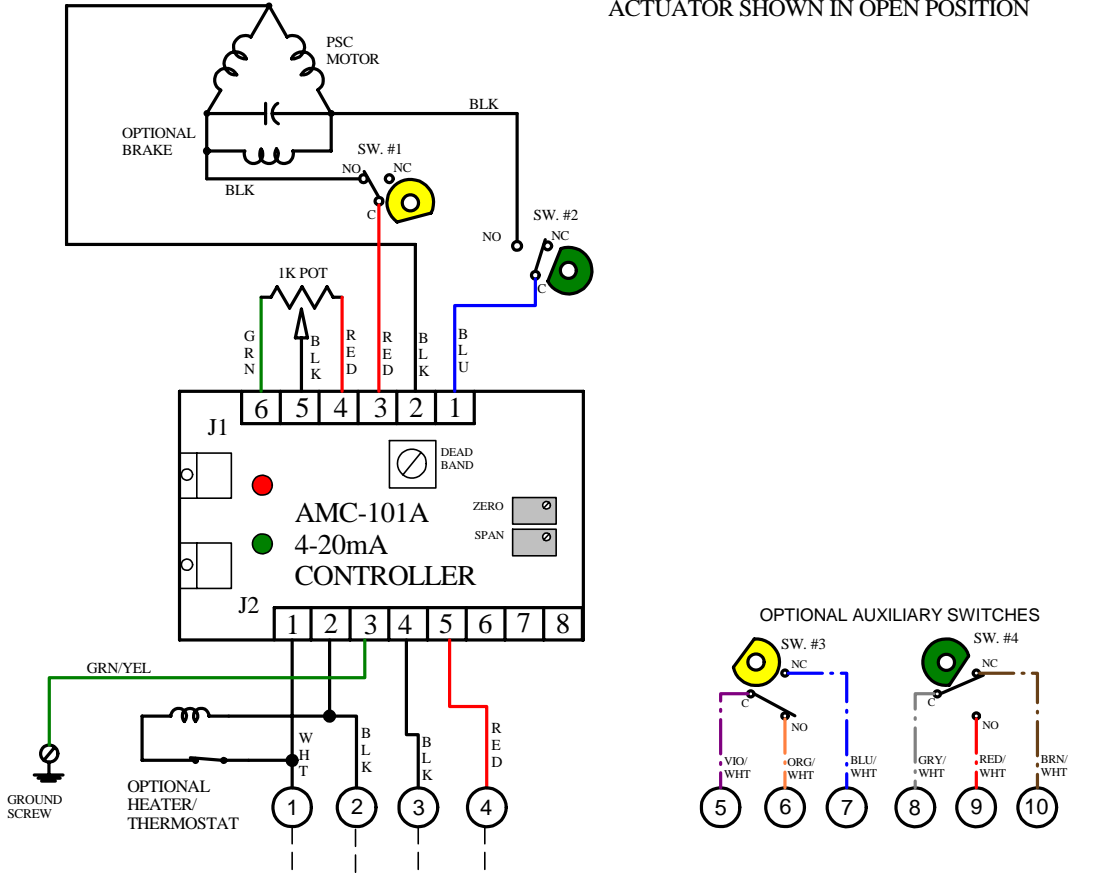


ACTUATOR SHOWN IN OPEN POSITION



FIELD WIRING

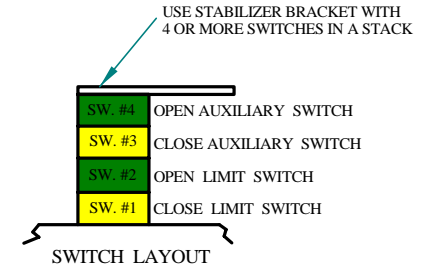
120 VAC POWER SUPPLY

N

HOT

4-20mA CONTROL CURRENT

1	MOVED T.B. POSITIONS;PWR	28AUG14	WJR
2	NEW AUX. SW. WIRE COLORS	21MAR16	WJR



NOTE:

THE FEEDBACK POTENTIOMETER AND LIMIT SWITCHES HAVE BEEN SET AT THE FACTORY - THEY DO NOT REQUIRE FURTHER CALIBRATION.

(S SERIES; J1-4 IS GREEN, J1-6 IS RED WIRE)

TO CALIBRATE THE OPEN AND CLOSE POSITION USE THE TRIM POTS LABELED Z (ZERO) FOR CLOSE AND S (SPAN) FOR OPEN.

STEP ONE SHOULD BE TO ADJUST THE ZERO POSITION AND STEP TWO IS TO ADJUST THE SPAN POSITION.

WIRING DIAGRAM, AC ELECTRIC ACTUATOR WITH 4-20mA POSITIONER & OPTIONAL 2 AUX. SWITCHES, HEATER/THERMOSTAT & BRAKE			
W010612			B
JLR	6-12-2001		