

R SERIES

100 IN-LBS, NEMA 4

The R series ultra-compact electric rotary actuator was specifically designed for small ball valve and damper applications.

SPECIFICATIONS:

TORQUE	100 In-Lb (11.3 Nm)	
CYCLE TIME	2.5 Sec./90	115Vac & 230Vac
	2.9 Sec./90	12Vdc, 24Vdc, 24Vac motor (75%)
DUTY CYCLE	25% standard on 115Vac and 230Vac	
	75% standard on 12Vdc, 24Vdc and 24Vac	
MOTOR	Permanent split capacitor (for AC) with thermal overload protection	



CURRENT RATINGS FL= Full Load, LR= Lock Rotor

115 Vac (Std.)		24 Vac		24 Vdc		12 Vdc		208 Vac/1Ph/60Hz		230 Vac/1Ph/60Hz	
FL	LR	FL	LR	FL	LR	FL	LR	FL	LR	FL	LR
0.40	0.55	0.40	2.40	0.40	2.40	0.60	2.90	0.36	0.72	0.33	0.38

The motor's LR amps must be taken into account when sizing the input power supply and fuses. Slow blow fuses are recommended

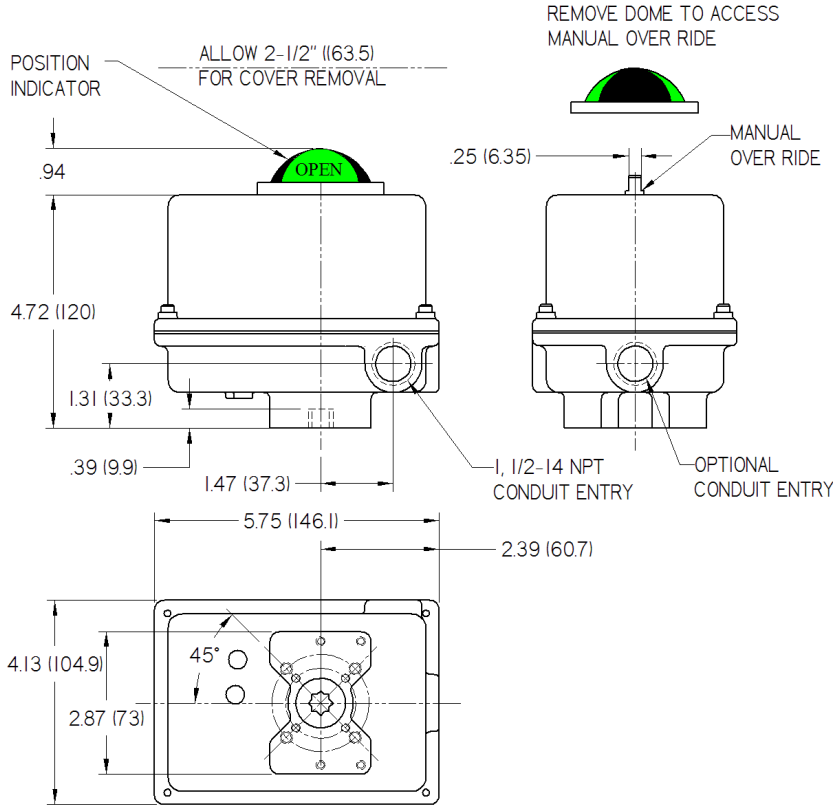
CERTIFICATIONS	CSA	Master Contract 178618
CANADIAN Actuators	CSA C22.2 No. 139-10 Electrically Operated Valves 3 rd Edition, Class 3221 02 - Valves – General Purpose	
UNITED STATES	UL 429 Electrically Operated Valves 7th Edition, Class 3221 82 - Valves – Actuators General Purpose	
APPROVED VOLTAGES	12Vdc, 115Vac & 230Vac	
APPROVED TEMP.	-4F (-20C) to 104F (40C)	
APPROVED OPTIONS	Power off Brake, Spring Friction Brake, One or Two Auxiliary Switches (For complete list of options, see option grid in catalog page 33)	
COATING	Thermally bonded polyester powder	
INDICATOR	Visual	Dome style
	Electric	Feedback from limit switches, same as operating voltage
SWITCHES	Snap action	SPDT, 15A @ 250Vac
LUBRICATION	Grease	Permanent, little or no maintenance required
WEIGHT	Pound	7 (lb)
	Kilogram	3.2 (kg)
MOUNTING	Universal	
MOUNTING PAD	ISO 5211 F03 (9mm star drive), F04 (11mm star drive) AND F03/04 (11mm star drive with F03 bolt circle)	



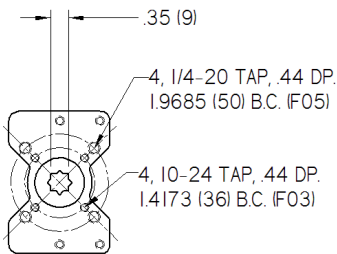
R SERIES

100 IN-LBS, NEMA 4

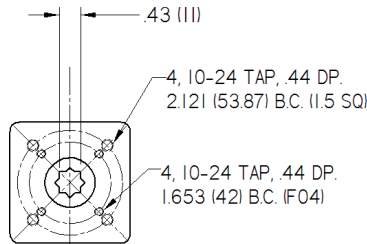
TEMPERATURE	-40F (-40C) to 150F (65.6C), heater & thermostat required 0F and below Optional double heater for application up to -76F (-60C)
OVERRIDE	Manual, non-declutching Declutching manual override not available DC voltage cannot be manually operated



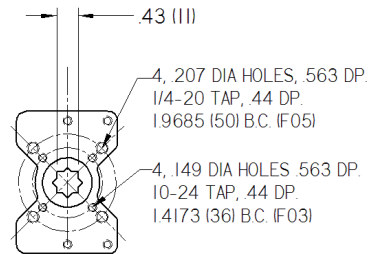
DIMENSIONS (mm)



**ISO 5211 F03
STANDARD**



ISO 5211 F04



ISO 5211 F03/04

