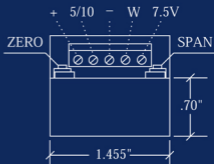
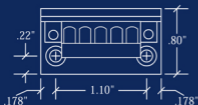


# INDELAC

CONTROLS, INC.



## FEEDBACK TRANSMITTER BOARD 0-10VDC

Installation, Operation & Maintenance Manual

# ▲ PEAKTRONICS

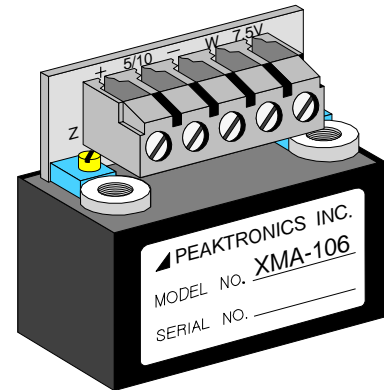
## XMA-106

### Voltage Feedback Transmitter

The Peaktronics XMA-106 is a 0-5/10VDC transmitter that is specifically designed for use with the Peaktronics AMC/LRC/SVC Series controllers. When a feedback potentiometer of 1K to 10K ohms is used with the AMC/LRC/SVC unit, the XMA-106 can be used to provide a 0 to 5 VDC or a 0 to 10 VDC signal that is proportional to the potentiometer value. Since the feedback potentiometer monitors the position of an actuator, the 0-5/10V signal can be used by a remote instrument to monitor or display actuator position.

The zero and span adjustments on the XMA-106 allow the user to scale the 0-5/10VDC signal to correspond with the zero and span positions set by the AMC/LRC/SVC controller. After the controller has been set, position the actuator to the zero position and adjust the XMA-106 zero to achieve the desired output (usually 0VDC). Then position the actuator to the span position and adjust the XMA-106 span to achieve the desired output (usually 5 or 10 VDC). Repeat this process until the zero and span positions yield the desired output from the XMA-106 without further adjustment.

The XMA-106 can be used when no actuator controller is used. In this application, the XMA-106 will need to be powered by an AMI/PWR Series unit or an equivalent



power supply of 10 to 32 VDC - see wiring diagram for details. The XMA-106 can also be used with the DMC Series DC controllers - consult factory for application details.

## SPECIFICATIONS

### OPERATING VOLTAGE

10 to 32 VDC (5V output)  
12 to 32 VDC (10V output)

### OPERATING CURRENT

(not including output load and feedback pot)  
5 to 8 mA

### INPUT SPECIFICATIONS

Zero (output = 0V)	0.1 to 5 VDC
Span (output = 5 to 10 VDC)	0.52 to 10 VDC
Zero-to-Span Differential	0.42 VDC minimum
Input Impedance	133K ohms

### FEEDBACK POTENTIOMETER (total resistance)

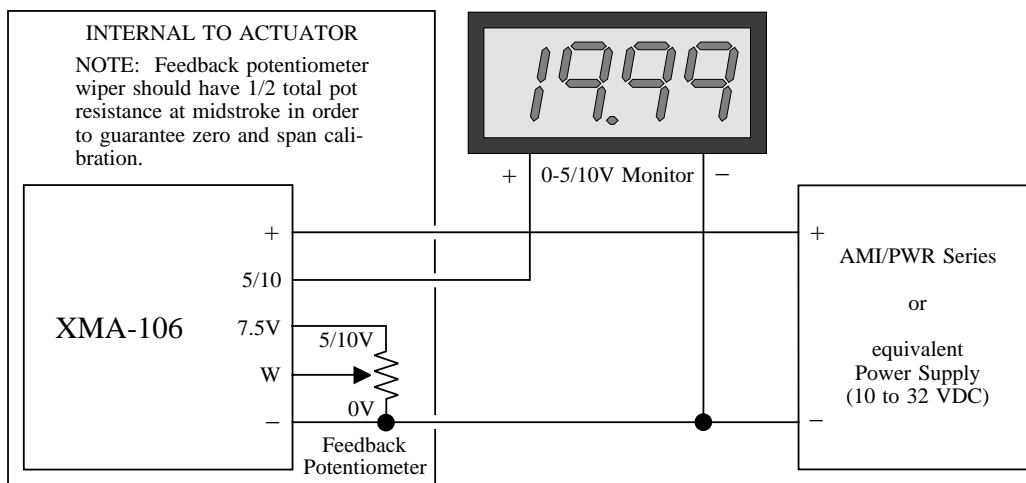
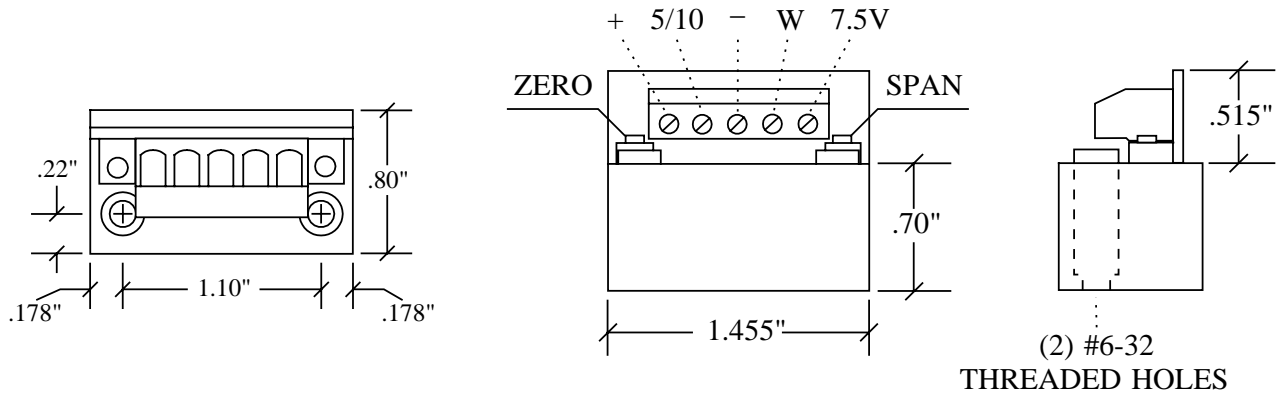
1K to 10K ohms

### OUTPUT LOAD

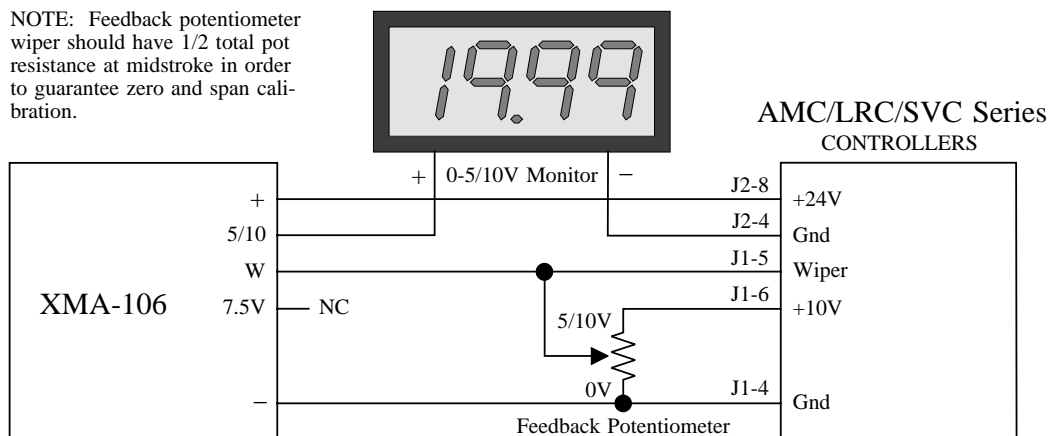
1K ohms minimum

### ENVIRONMENTAL

Operating Temperature	-40 to 65 °C
Storage Temperature	-40 to 85 °C
Relative Humidity (non-condensing)	0 to 90%



CONNECTING XMA-106 AS STAND ALONE FEEDBACK TRANSMITTER



CONNECTING XMA-106 WITH AMC/LRC/SVC SERIES