

# SNS-400 TO 1500

## SAFE & SECURE SERIES ACTUATOR WITH BATTERY BACKUP, NEMA 4 AND/OR 7

The Safe & Secure Series is a compact powerful solution for critical applications. Equipped with an internal battery this unit is field adjustable to fail closed, fail open, or continue standard operations, always leaving you in control during sudden loss of utility power and/or control signal.



### SPECIFICATIONS:

**TORQUE**

SNS4	400 In-Lb (45.2 Nm)
SNS6	675 In-Lb (76.3 Nm)
SNS10	1,000 In-Lb (113 Nm)
SNS15	1,500 In-Lb (169.5 Nm)

**CYCLE TIME**

SNS4	10 sec. / 90°
SNS6/10	15 sec. / 90°
SNS15	30 sec. / 90°

**DUTY CYCLE** 100%

**MOTOR** Brush type 12Vdc (for all input voltages)

**CURRENT RATINGS** FL= Full Load, LR= Lock Rotor

	115VAC		24VAC & 24VDC		12VDC		230VAC/1PH/60HZ	
	FL	LR	FL	LR	FL	LR	FL	LR
SNS4	0.20	0.44	0.83	2.10	1.65	4.20	0.09	0.22
SNS6	0.16	0.44	0.75	2.10	1.50	4.20	0.08	0.22
SNS10	0.23	0.44	1.10	2.10	2.20	4.20	0.12	0.22
SNS15	0.24	0.44	1.15	2.10	2.30	4.20	0.12	0.22

The motor's LR amps must be taken into account when sizing the input power supply and fuses. Slow blow fuses are recommended

**BATTERY** 12 Volt 0.8 AHr, Rechargeable Sealed Lead Acid Battery, Minimum 4 Years Life in Stand-By Use at 68°F

RUN TIMES/CYCLES	Time to complete 90 deg. rotation (in sec.)	Number of cycles	Total run time (in min.)
SNS4	9	30	150
SNS6	15	30	150
SNS10	18	6	30
SNS15	30	5	25

Testing was done at the maximum torque for each valve. If the torque is less than the maximum, the run time/cycles will increase. All cycles are based on - 90° motion, 5 minute delay, then repeat

**CHARGER** Trickle charger drawing 1 to 1.3A during battery recharge and 50mA to maintain to full charge

**CERTIFICATIONS** None - General Purpose Actuators  
Designed to meet NEMA 4 Standards with optional NEMA enclosure types 4X, 9 and 7 available



# SNS-400 TO 1500

## SAFE & SECURE SERIES ACTUATOR WITH BATTERY BACKUP, NEMA 4 AND/OR 7

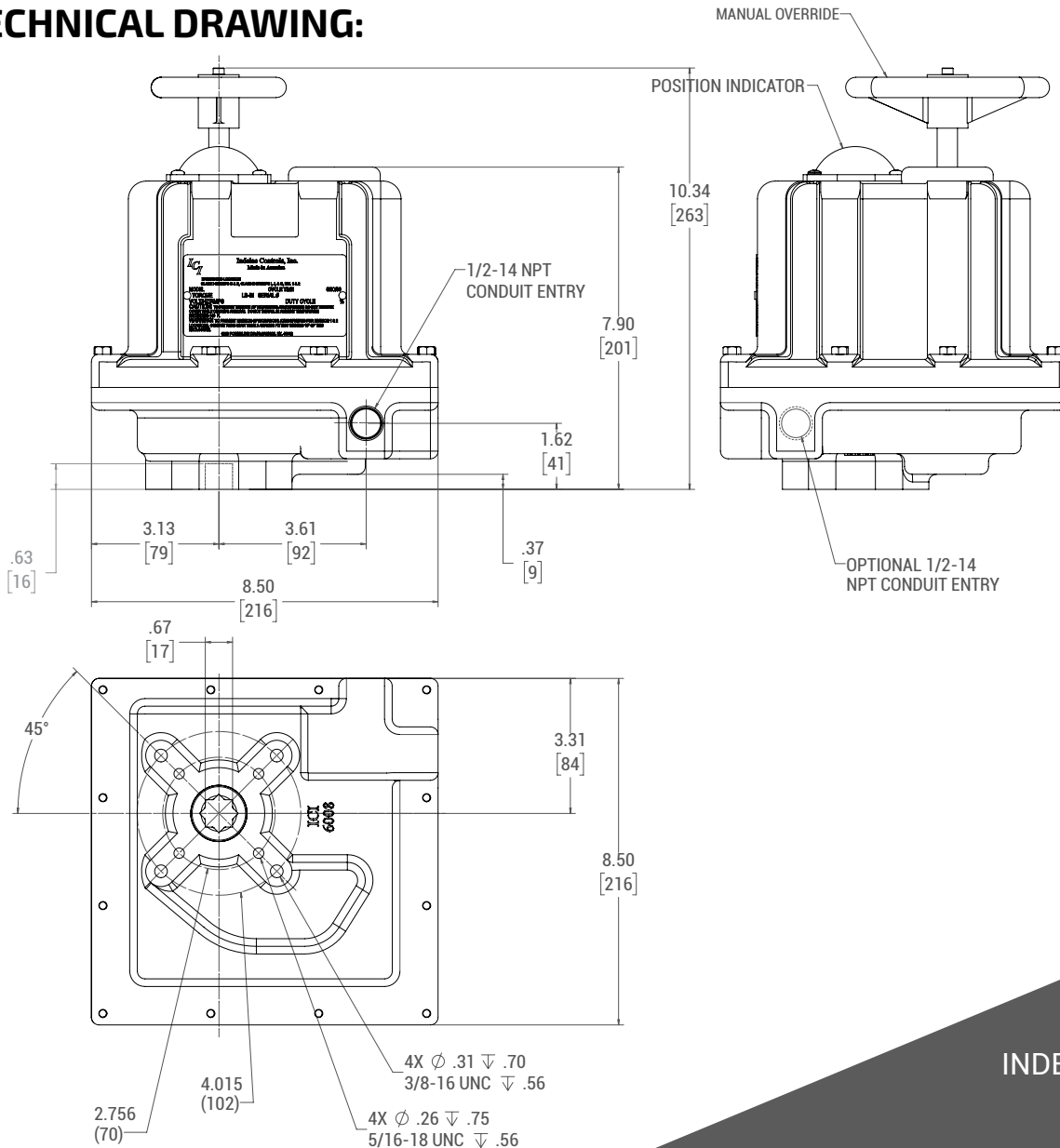
**INDELAC**

CONTROLS, INC.

ELECTRIC ACTUATORS AND CONTROLS

COATING	Thermally bonded polyester powder			
POSITION INDICATOR	Visual	Dome Indicator		
SWITCHES	Snap action	SPDT, 15A @ 250Vac		
LUBRICATION	Grease	Permanent, little or no maintenance required		
WEIGHT	Pound	22 (lb)	Kilogram	10 (kg)
MOUNTING	Universal			
MOUNTING PAD	ISO 5211 F07 & F10 with 17mm star drive			
TEMPERATURE	-40F (-40C) to 150F (65.6C), self-regulating heater			
OVERRIDE	Manual, Declutching Hand Wheel			

### TECHNICAL DRAWING:



INDELAC CONTROLS, INC  
 WWW.INDELAC.COM  
 1 + 859-727-7890