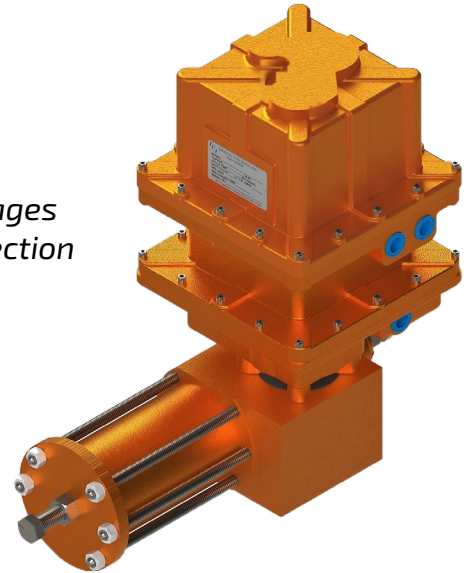


ACS SERIES

400, 600, 1000 & 1200 IN-LBS
NEMA 4 AND/OR 7

The ASC Series spring return actuators are compatible with DC voltages and can be used for modulating applications requiring system protection from unforeseen power failures.



SPECIFICATIONS:

TORQUE	Start		End
	ASC4	600 In-Lb (67.8 Nm)	400 In-Lb (45.2 Nm)
	ASC6	800 In-Lb (90.4 Nm)	600 In-Lb (67.8 Nm)
	ASC10	1,200 In-Lb (135.6 Nm)	1,000 In-Lb (113 Nm)
	ASC12	1,400 In-Lb (158.2 Nm)	1,200 In-Lb (135.6 Nm)

CYCLE TIME 12 sec. / 90° electric, 2 sec. / 90° spring

DUTY CYCLE ASC 4 up to ASC 10 75%
ASC12 30 minute continuous run

MOTOR Permanent split capacitor (for AC) with thermal overload protection

CURRENT RATINGS FL= Full Load, LR= Lock Rotor

	115VAC (Std.)		24VAC & 24VDC		12VDC		208VAC/1PH/60HZ		230VAC/1PH/60HZ	
	FL	LR	FL	LR	FL	LR	FL	LR	FL	LR
ASC4-10	1.60	2.90	3.70	25.00	6.90	48.00	1.20	2.20	1.03	2.00
ASC12	2.80	4.10	5.00	25.00	10.00	48.00	1.20	2.20	1.03	2.00

The motor's LR amps must be taken into account when sizing the input power supply and fuses. Slow blow fuses are recommended

CLUTCH Electro-magnetic

CERTIFICATIONS None - General Purpose Actuators
Designed to meet NEMA 4 Standards with optional NEMA enclosure types 4X, 9 and 7 available

COATING Thermally bonded polyester powder

INDICATOR Electric Feedback from limit switches, same as operating voltage

SWITCHES Snap action SPDT, 15A @ 250Vac

LUBRICATION Grease Permanent, little or no maintenance required

WEIGHT Pound 110 (lb)
Kilogram 49.9 (kg)

MOUNTING Universal

MOUNTING PAD ACS4 & ASC6 ISO 5211 F07 with .66" Square Male Drive
ASC10 & ASC12 ISO 5211 F10 with 1.00" Square Male Drive

TEMPERATURE -40F (-40C) to 150F (65.6C), heater & thermostat required 0F and below
Optional double heater for application down to -76F (-60C)



ACS SERIES

400, 600, 1000 & 1200 IN-LBS

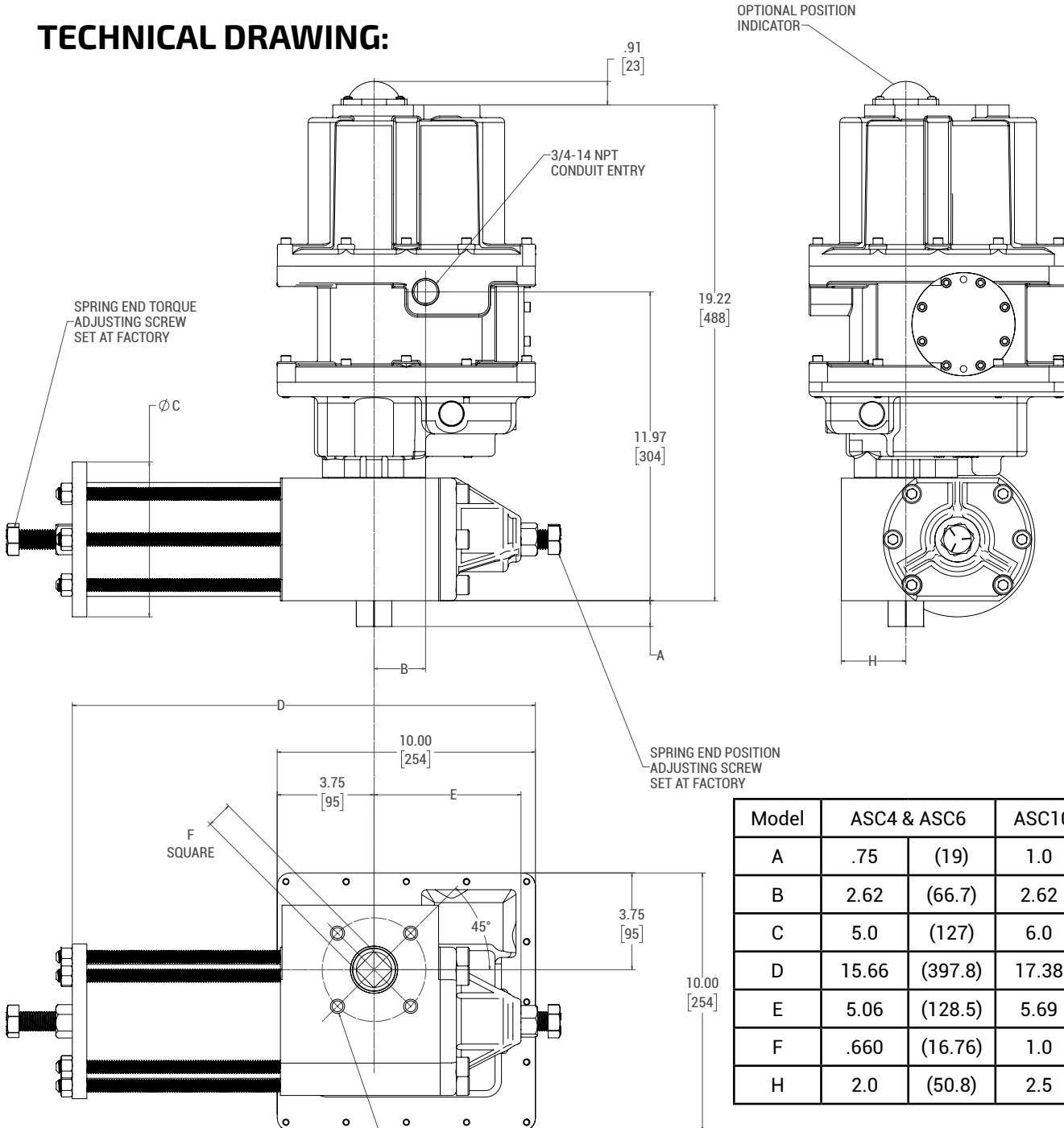
NEMA 4 AND/OR 7

MAX. CYCLES

MODULATING = 300 per hour, ON/OFF = 17 per day, spring fail is to be reserved for emergency use only *

* Allowing this actuator to spring fail as a part of normal operation will severely limit the life expectancy of the product and waives the product warranty

TECHNICAL DRAWING:



Model	ASC4 & ASC6		ASC10 & ASC12	
A	.75	(19)	1.0	(25.4)
B	2.62	(66.7)	2.62	(66.7)
C	5.0	(127)	6.0	(152.4)
D	15.66	(397.8)	17.38	(441.5)
E	5.06	(128.5)	5.69	(144.6)
F	.660	(16.76)	1.0	(25.4)
H	2.0	(50.8)	2.5	(63.5)

ASC4 & 6 - 4, 5/16-18 X 0.63 DEEP, 2.756 (70) B.C. (ISO 5211 F07)
ASC10 & 12 - 4, 1/2-13 X 0.63 DEEP, 4.015 (102) B.C. (ISO 5211 F10)