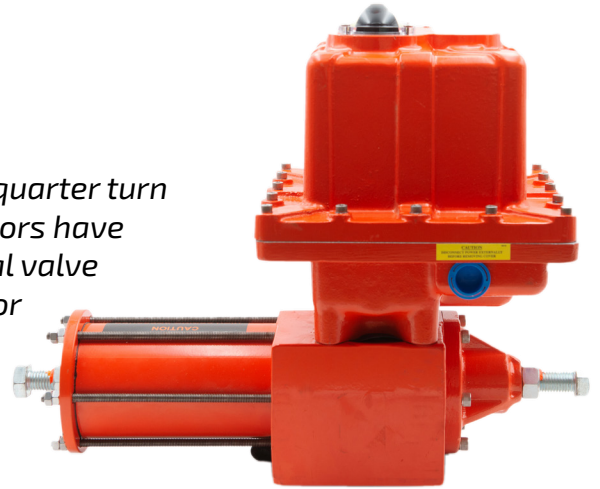


AS SERIES

400, 600 & 1000 IN-LBS NEMA 4 AND/OR 7

Indelac's AS Series spring return actuators are heavy duty, quarter turn rotary actuators. These high quality, American made actuators have been designed for use as a fail-safe solution in the industrial valve and damper automation industry. They are recommended for applications requiring system protection from unforeseen power failures.



SPECIFICATIONS:

TORQUE	Start	End
	AS4 600 In-Lb (67.8 Nm)	400 In-Lb (45.2 Nm)
	AS6 800 In-Lb (90.4 Nm)	600 In-Lb (67.8 Nm)
	AS10 1,200 In-Lb (135.6 Nm)	1,000 In-Lb (113 Nm)
CYCLE TIME	12 sec. / 90° electric, 2 sec. / 90° spring	
DUTY CYCLE	25%	
MOTOR	Permanent split capacitor (for AC) with thermal overload protection	

CURRENT RATINGS FL= Full Load, LR= Lock Rotor

115VAC (Std.)		208VAC/1PH/60HZ		230VAC/1PH/60HZ	
FL	LR	FL	LR	FL	LR
1.60	2.90	1.20	2.20	1.03	2.00

The motor's LR amps must be taken into account when sizing the input power supply and fuses. Slow blow fuses are recommended

MOTOR BRAKE	Power ON		
CERTIFICATIONS	None - General Purpose Actuators Designed to meet NEMA 4 Standards with optional NEMA enclosure types 4X, 9 and 7 available		
COATING	Thermally bonded polyester powder		
INDICATOR	Visual Electric	Dome Indicator Feedback from limit switches, same as operating voltage	
SWITCHES	Snap action	SPDT, 15A @ 250Vac	
LUBRICATION	Grease	Permanent, little or no maintenance required	
WEIGHT	Pound Kilogram	AS4 & AS6 – 68 (lb) AS4 & AS6 – 30.8 (kg)	AS10 – 78 (lb) AS10 – 35.4 (kg)
MOUNTING	Universal		
MOUNTING PAD	AS4 & AS6 AS10	ISO 5211 F07 with .66" Square Male Drive ISO 5211 F10 with 1.00" Square Male Drive	
TEMPERATURE	-40F (-40C) to 150F (65.6C), heater & thermostat required 0F and below Optional double heater for application down to -76F (-60C)		



AS SERIES

400, 600 & 1000 IN-LBS

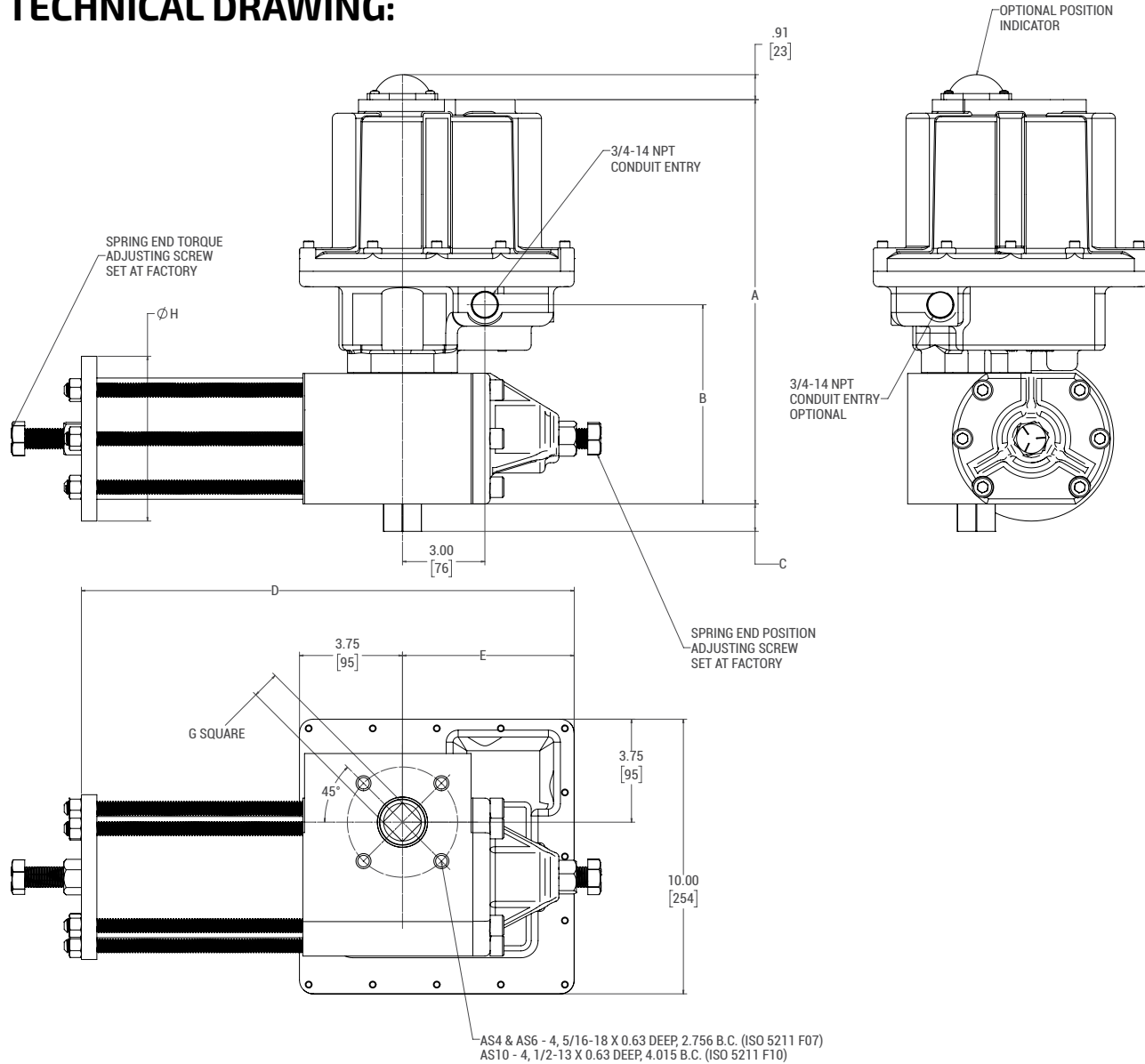
NEMA 4 AND/OR 7

MAX. CYCLES

25 power OPEN and power CLOSE cycles per day, spring fail is to be reserved for emergency use only *

* Allowing this actuator to spring fail as a part of normal operation will severely limit the life expectancy of the product and waives the product warranty

TECHNICAL DRAWING:



Model	A	B	C	D	E	G	H
AS4 & AS6	14.69	4.69	0.75	15.66	5.06	0.660	5.0
	(373)	(119)	(19)	(397.8)	(128.5)	(16.76)	(127)
AS10	15.06	4.88	1.0	17.0	5.88	1.0	6.0
	(382.5)	(124)	(25.4)	(431.8)	(149.4)	(25.4)	(152.4)